

H2 50120DL SERIES

Hydrogen, Dome Loaded, High Flow
Pressure Reducing Regulators



Premier H2 50120DL Series dome loaded, single stage, high flow, piston sensed, pressure reducing regulators, designed for inlet pressures up to 6000 PSIG (*413.69 bar*), and Cv 12.0. The H2 50120DL features an externally loaded 1:1 dome load with a max outlet pressure of 6000 PSIG (*413.69 bar*).

FEATURES

- Flow capacity (Cv): 12.0
- 6000 PSIG (*413.69 bar*) max inlet pressure
- Piston Sensed
- 1:1 dome load
- Designed for use with Hydrogen
- Economical pricing
- Machined bar stock body eliminates porosity found in castings
- Optional external sensing port

SOME APPLICATIONS WILL REQUIRE A CUSTOM SOLUTION.
CONTACT PREMIER INDUSTRIES TO REQUEST A MODIFICATION
OR A CUSTOM DESIGN.

SPECIFICATIONS

- **MAXIMUM INLET/OUTLET PRESSURE:**
 - 6000 PSIG (413.69 bar)
DEPENDENT UPON CONFIGURATION
- **FLOW (Cv):** 12.0

MATERIALS OF CONSTRUCTION

- **BODY:**
 - 316 Stainless Steel
- **BONNET:**
 - 316 Stainless Steel
- **PISTON:**
 - 316 Stainless Steel
- **MAIN VALVE:**
 - 316 Stainless Steel
- **MAIN VALVE SEAT:**
 - PEEK®
 - Vespel® SP-1
 - PCTFE (3600 PSIG MAX)
- **O-RING SEAL OPTIONS:**
 - Viton®
 - Buna-N
 - EPDM
- **BACK-UP RINGS:**
 - PTFE

PORTING

- **INLET/OUTLET OPTIONS:**
 - GRAYLOC 2" GR14 (WELDED)
 - GRAYLOC 2" GR20 (WELDED)
 - 1" FNPT
 - 1.5" FNPT
 - 2" FNPT (3600 PSIG MAX)
 - 1" SAE AS5202*
 - 2" SAE AS5202* (3600 PSIG MAX)
 - 1" SAE J1926
 - 2" SAE J1926 (3600 PSIG MAX)
 - 2" 1500# RF (3600 PSIG MAX)
 - 2" 2500# RF

**SAE AS5202 supersedes MS33649*
- **DOMES PORT OPTIONS:**
 - 1/4" FNPT
 - 1/4" SAE AS5202
 - 1/4" SAE J1926
- **OPTIONAL EXTERNAL SENSING PORT:**
 - 1/4" FNPT
 - 1/4" SAE AS5202
 - 1/4" SAE J1926

OPTIONS

- Private Label
- External sensing port
- Surface mount

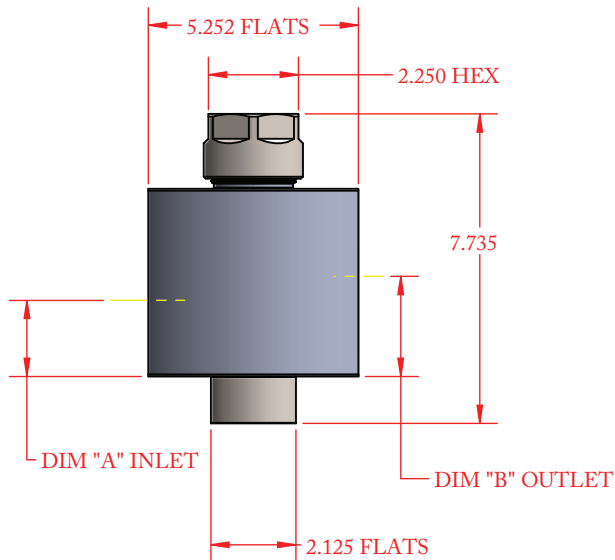
Viton® and Vespel® are registered trademarks of E.I.duPont de Nemours and Company.

PEEK® is a registered trademark of Victrex PLC

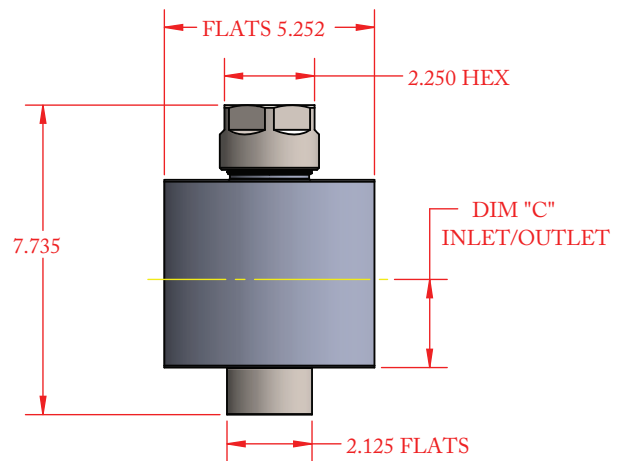
Contact factory for material certifications. Fees may apply.

PART NUMBER: H30-10638

OFFSET PORT CONFIGURATIONS



IN-LINE PORT CONFIGURATIONS



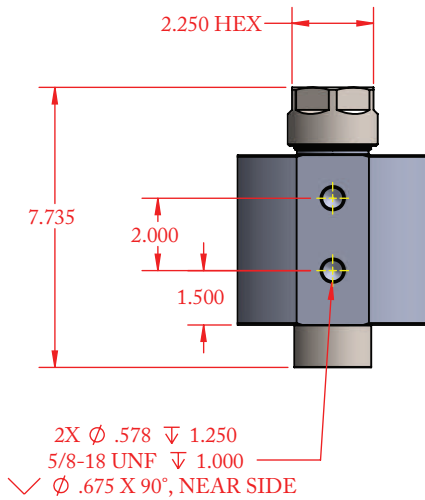
OFFSET PORT DIMENSIONS

PART #:	PORT TYPE	DIM "A" (IN)	DIM "B" (OUT)
30-10638-XXX-12	1" FNPT	1.50"	3.00"
30-10638-XXX-13	1" AS5202	1.50"	3.00"
30-10638-XXX-14	1" J1926	1.50"	3.00"
30-10638-XXX-22	1.5" FNPT	1.90"	3.10"

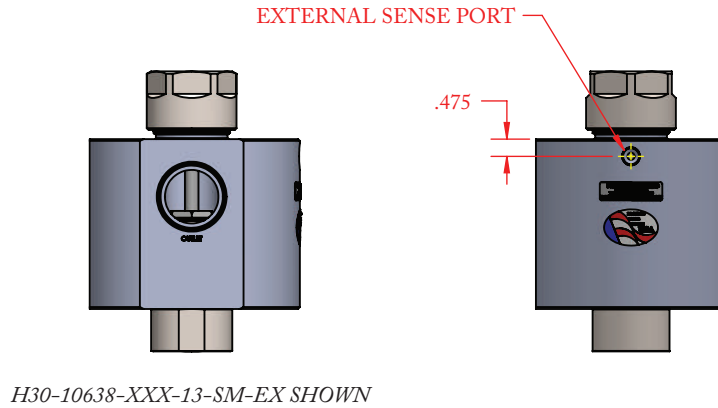
INLINE PORT DIMENSIONS

PART #:	PORT TYPE	DIM "C"
30-10638-XXX-23	2" AS5202	2.34"
30-10638-XXX-24	2" J1926	2.34"
30-10638-XXX-32	2" FNPT	2.42"

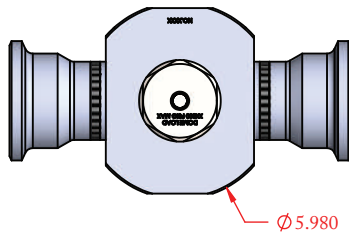
SURFACE MOUNT



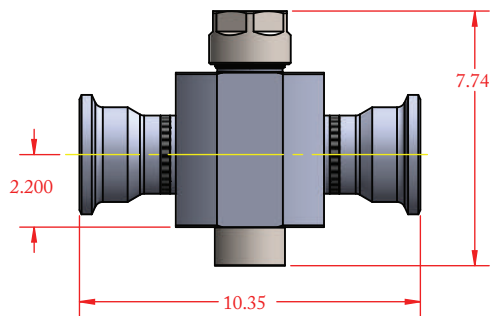
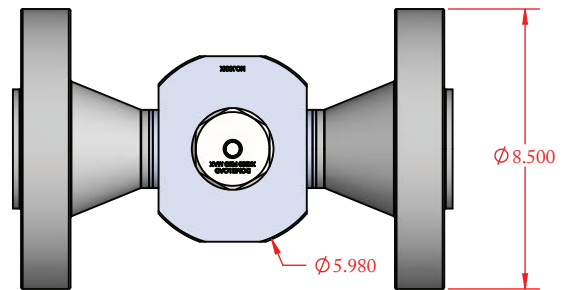
EXTERNAL SENSING PORT



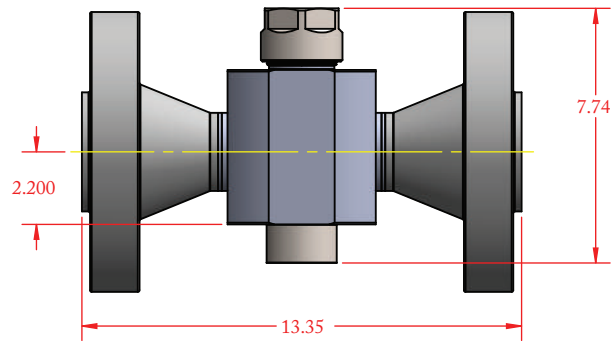
GRAYLOC HUB CONFIGURATION



2" 1500# RF FLANGE CONNECTION



H30-10638-XXX-11 (SHOWN ABOVE)



H30-10638-XXX-15 (SHOWN ABOVE)

H2 50120DL SERIES

Hydrogen, Dome Loaded, High Flow
Pressure Reducing Regulators

PART #	-	1	2	3	-	4	5	-	MODS
H30-10638	-				-			-	

1	SEAT MATERIAL
1	Vespel SP-1®
2	PEEK®
3	PCTFE (3600 PSIG MAX)
2	O-RING MATERIAL
1	Buna-N
2	Viton®
3	EPDM
3	DOME PORT
1	1/4" FNPT
2	1/4" SAE J1926
3	1/4" SAE AS5202

4	5	INLET/OUTLET PORT SIZE/TYPE
1	1	GRAYLOC 2" GR14 (WELDED)
2	1	GRAYLOC 2" GR20 (WELDED) (3600 PSIG MAX)
1	2	1" FNPT
2	2	1.5" FNPT
3	2	2" FNPT (3600 PSIG MAX)
1	3	1" SAE AS5202
2	3	2" SAE AS5202 (3600 PSIG MAX)
1	4	1" SAE J1926
2	4	2" SAE J1926 (3600 PSIG MAX)
1	5	2" 1500# RF (3600 PSIG MAX)
2	5	2" 2500# RF

MODIFICATIONS	
BLANK	NONE
E1	1/4" FNPT external sensing port
E2	1/4" SAE J1926 external sensing port
E3	1/4" SAE AS5202 external sensing port
SM	SURFACE MOUNT

Viton® and Vespel® are registered trademarks of E.I.duPont de Nemours and Company.

PEEK® is a registered trademark of Victrex PLC

Contact factory for material certifications. Fees may apply.