

O2 3400 SERIES

High Sensitivity, High Pressure, Oxygen
Pressure Reducing Regulators



Premier O2 3400 Series Oxygen, high pressure, diaphragm sensed, pressure reducing regulators offer high sensitivity with precise outlet pressure control. These precision, diaphragm sensed, pressure reducing regulators are rated for inlet pressures up to 6000 psig (414 bar), outlet pressures up to 600 psig (41.4 bar) and Cv 0.06 or 0.20. Premier O2 3400 Series regulators are designed for use in Oxygen applications.

FEATURES

- Designed for use with Oxygen
- Great sensitivity
- Large neoprene diaphragm
- Optional panel mounting bracket
- Non-venting
- Cv 0.06, 0.20
- Optional tamper resistant acorn nut

SOME APPLICATIONS WILL REQUIRE A CUSTOM SOLUTION.
CONTACT PREMIER INDUSTRIES TO REQUEST A MODIFICATION
OR A CUSTOM DESIGN.

O2 3400 SERIES

High Sensitivity, High Pressure, Oxygen
Pressure Reducing Regulators

SPECIFICATIONS

- **MAXIMUM INLET PRESSURE:**
 - 6000 PSIG (414 bar)
- **OUTLET PRESSURE RANGE:**
 - 0-50 PSIG (0 - 3.4 bar)
 - 0-150 PSIG (0 - 10.3 bar)
 - 0-250 PSIG (0 - 17.2 bar)
 - 0-500 PSIG (0 - 34.5 bar)
 - 0-600 PSIG (0 - 41.4 bar)
- **FLOW (C_v):** 0.06, 0.20
- **OPERATING TEMPERATURE:**
 - -40°F to 165°F / -40°C to 74°C
- **LEAKAGE:**
 - Bubble tight

MATERIALS OF CONSTRUCTION

- **BODY & BONNET:**
 - SAE 360 Brass
- **DIAPHRAGM:**
 - Neoprene
- **MAIN VALVE ACTUATOR PIN:**
 - Monel 400
- **MAIN VALVE SEAT:**
 - Vespel Sp-1
- **VENT VALVE SEAT:**
 - Vespel Sp-1
- **O-RINGS:**
 - PTFE
- **REMAINING PARTS:**
 - Monel 400

PORTING

- **INLET & OUTLET OPTIONS:**
 - 1/4", 3/8", 1/2" FNPT
 - 1/4", 3/8", 1/2" SAE J1926
 - 1/4", 3/8", 1/2" SAE AS5202*
- **GAUGE PORTS:**
 - 1/4" FNPT

OPTIONAL ITEMS

- Panel mounting bracket: P/N: 30-10059 (Ø2.15 panel hole)
- Gauges
- Tamper resistant acorn nut
- Private labeling

**SAE AS5202 supersedes MS33649*

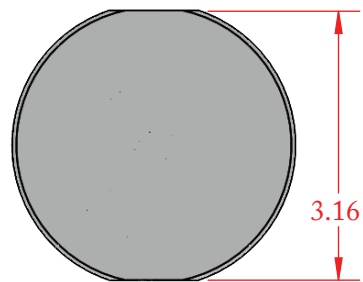
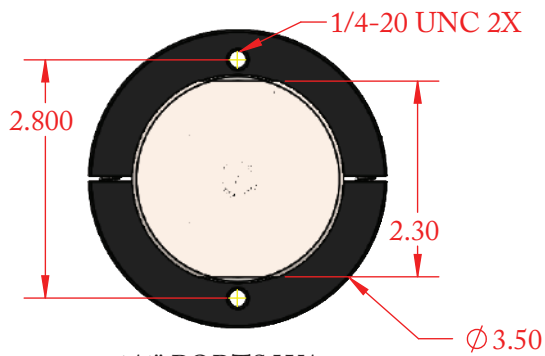
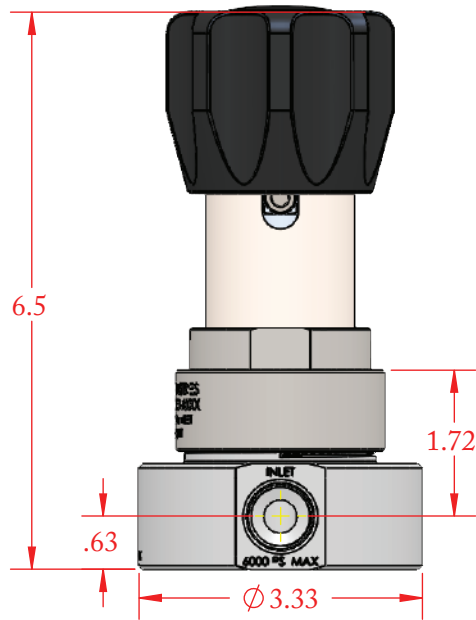
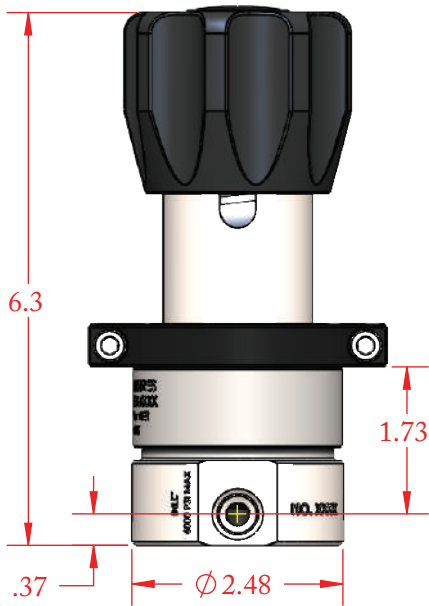
Monel is a trademark of Specialty Metals Corporation

Contact factory for material certifications. Fees may apply

O2 3400 SERIES

High Sensitivity, High Pressure, Oxygen Pressure Reducing Regulators

PART NUMBER: 30-11038



1/4" PORTS W/
OPTIONAL MOUNTING
BRACKET

1/2" PORTS




O2 3400 SERIES

High Sensitivity, High Pressure, Oxygen
Pressure Reducing Regulators

PART #	-	1	2	3	-	4	5	6	7	-	MODS
30-11038	-				-					-	

1	PORTING
1	1/4" NPT
2	3/8" NPT
3	1/2" NPT
4	1/4" SAE J1926
5	3/8" SAE J1926
6	1/4" SAE AS5202*
7	3/8" SAE AS5202*
8	1/2" SAE J1926
9	1/2" SAE AS5202*
GAUGE PORTS: 1/4" FNPT	
2	Cv RATING
0	0.06
1	0.20

3	BODY/BONNET/ RETAINER MATERIALS
1	Brass/Monel
4	DIAPHRAGM MATERIAL
1	Neoprene
5	OUTLET PRESSURE
0	600 psig (41.4 bar)
1	500 psig (34.5 bar)
2	250 psig (17.2 bar)
3	150 psig (10.3 bar)
4	50 psig (3.4 bar)

6	MOUNTING BRACKET
1	No bracket
2	Aluminum mounting bracket
3	Stainless steel mounting bracket
7	PORTING
NONE	'S' porting configuration 
C	'C' porting configuration 
A	'A' porting configuration 
MODIFICATIONS	
A	Acorn nut

*SAE AS5202 supersedes MS33649

6000 PSIG MAX INLET

The end user is responsible to ensure adequate fittings are used to connect regulator to plumbing.

Contact factory for material certifications. Fees may apply.