

O2 5033DL/5060DL SERIES

Dome Loaded, High Flow, High Pressure
Pressure Reducing Regulators



Premier O2 5033DL/5060DL Series dome loaded, single stage, high flow, high pressure, piston sensed, pressure reducing regulators, rated for inlet and outlet pressures up to 10000 PSIG / 689.5 bar (*dependent upon configuration*), and Cv 3.3 or 6.0. Premier O2 5033DL/5060DL Series regulators feature an externally loaded 1:1 dome load. O2 5033DL/5060DL regulators are designed for use in Oxygen applications. Optional external sensing port for improved accuracy.

FEATURES

- Designed for use with Oxygen
- Flow capacity (Cv) 3.3 or 6.0
- 10000 PSIG (689.5 bar) max inlet pressure
- 1:1 dome load
- Optional external sensing port
- Economical pricing
- Machined bar stock body eliminates porosity found in castings

SOME APPLICATIONS WILL REQUIRE A CUSTOM SOLUTION.
CONTACT PREMIER INDUSTRIES TO REQUEST A MODIFICATION
OR A CUSTOM DESIGN.

SPECIFICATIONS

- **MAXIMUM INLET PRESSURE:**
 - 10000 PSIG (690 BAR)*
**dependent upon configuration, see page 4 and 5*
- **MAXIMUM OUTLET PRESSURE:**
 - 10000 PSIG (690 BAR)*
**dependent upon configuration, see page 4 and 5*
- **FLOW (Cv):** 3.3 or 6.0

MATERIALS OF CONSTRUCTION

- **BODY OPTIONS:**
 - Monel®
 - SAE 360 Brass (3000 PSIG MAX)
- **PISTON:**
 - Monel®
- **VALVE:**
 - Monel®
- **MAIN VALVE SEAT OPTIONS:**
 - PTFE filled PEEK
 - VESPEL® SP-1
 - PEEK®
- **O-RINGS:**
 - Viton®
- **BACK-UP RINGS:**
 - PTFE

PORTING

- **INLET & OUTLET OPTIONS:**
 - See pages 4 and 5
- **EXTERNAL SENSING PORT OPTIONS:**
 - 1/4 FNPT, SAE AS5202, SAE J1926
- **DOMEST PORT OPTIONS:**
 - 1/4 FNPT, SAE J1926, SAE AS5202**
*** (SAE AS5202 supersedes MS33649)*

OPTIONS

- Private Label

Viton® and Vespel® are registered trademarks of E.I. duPont de Nemours and Company.

PEEK® is a registered trademark of Victrex PLC

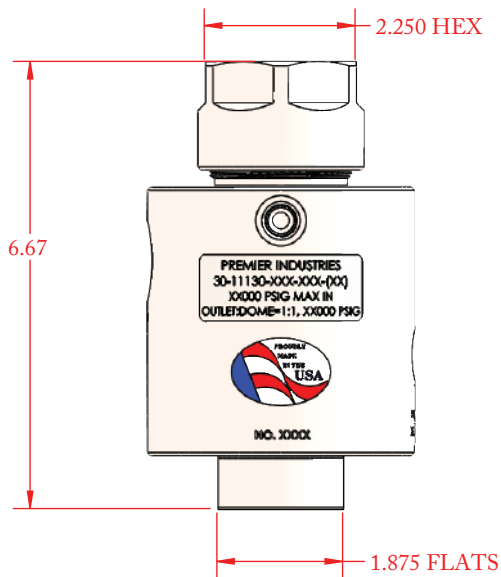
Monel® is a registered trademark of Special Metals Corporation

Contact factory for material certifications. Fees may apply.

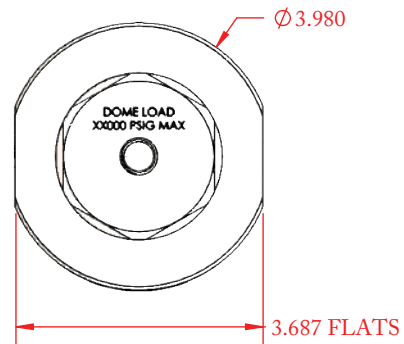
O2 5033DL/5060DL SERIES

Dome Loaded, High Flow, High Pressure, Oxygen
Pressure Reducing Regulators

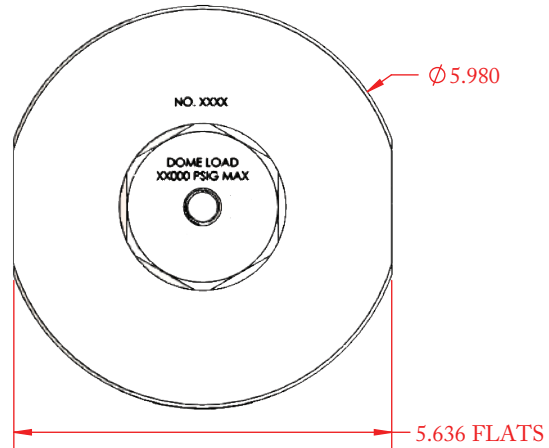
PART NUMBER: 30-11130, Cv 3.3



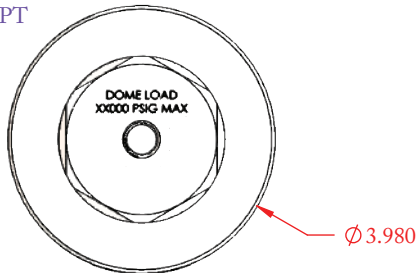
PORTS: 3/4" AS5202 & J1926



PORTS: 1" AS5202 & J1926



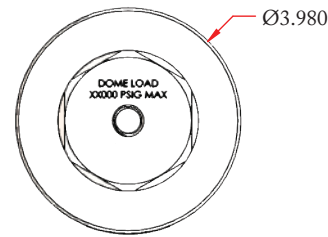
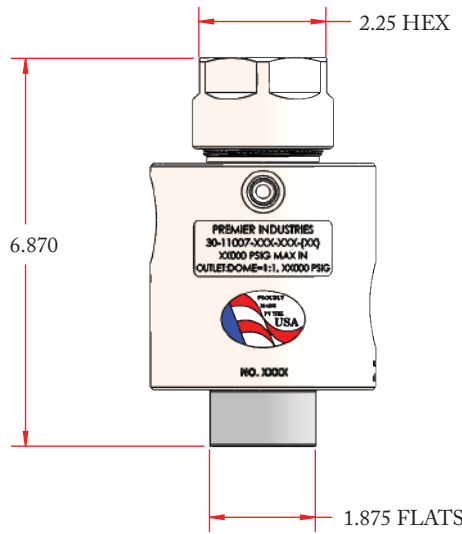
PORTS: 3/4" NPT
& 1" NPT



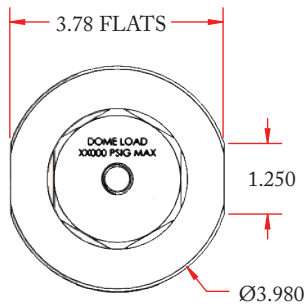
O2 5033DL/5060DL SERIES

Dome Loaded, High Flow, High Pressure, Oxygen Pressure Reducing Regulators

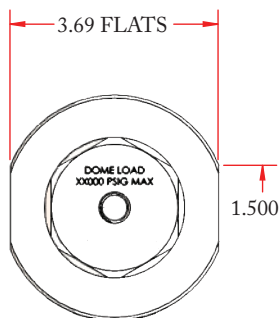
PART NUMBER: 30-11007, Cv 6.0



PORTS: 3/4" NPT, & 1" NPT



PORTS: 1/2" SAE J1926, 1/2" SAE AS5202, 9/16" MP, 3/4" MP



PORTS: 3/4" SAE J1926, 3/4" SAE AS5202, 1" MP



PART NUMBER:	-	1	2	3	-	4	5	6	-	MODS
30-11130	-				-				-	

Cv 3.3

1	SEAT MATERIAL OPTIONS
1	PTFE FILLED PEEK®
2	PEEK®
3	VESPEL SP-1®
2	O-RING MATERIAL
2	Viton®
3	BODY MATERIAL
1	MONEL®
2	SAE 360 BRASS (3000 PSIG MAX)
4	PORT SIZE
2	9/16" (MEDIUM PRESSURE ONLY)
3	3/4"
4	1"

5	PORT TYPE
1	NPT (10000 PSIG MAX/690 BAR)
2	SAE J1926 (6000 PSIG MAX/414 BAR)
3	SAE AS5202 (6000 PSIG MAX/414 BAR)
4	MEDIUM PRESSURE (10000 PSIG MAX/690 BAR)
6	DOMES PORT OPTIONS
1	1/4" FNPT
2	1/4" SAE J1926
3	1/4" SAE AS5202

MODIFICATIONS	
BLANK	None
E1	1/4" FNPT external sensing port
E2	1/4" SAE J1926 external sensing port
E3	1/4" SAE AS5202 external sensing port

Viton® and Vespel® are registered trademarks of E.I. duPont de Nemours and Company.

PEEK® is a registered trademark of Victrex PLC

Monel® is a registered trademark of Special Metals Corporation

Contact factory for material certifications. Fees may apply.

O2 5033DL/5060DL SERIES

Dome Loaded, High Flow, High Pressure, Oxygen
Pressure Reducing Regulators

PART NUMBER:	-	1	2	3	-	4	5	6	-	MODS
30-11130	-				-				-	

Cv 6.0

1	SEAT MATERIAL OPTIONS
2	PEEK®
3	VESPEL SP-1®
2	O-RING MATERIAL
2	Viton®
3	BODY MATERIAL
1	MONEL®
2	SAE 360 BRASS (3000 PSIG MAX)
4	PORT SIZE
2	9/16" (MEDIUM PRESSURE ONLY)
3	3/4"
4	1"
6	1.5" (MEDIUM PRESSURE ONLY)

5	PORT TYPE
1	NPT (10000 PSIG MAX/690 BAR)
2	SAE J1926 (6000 PSIG MAX/414 BAR)
3	SAE AS5202 (6000 PSIG MAX/414 BAR)
4	MEDIUM PRESSURE (10000 PSIG MAX/690 BAR)
6	DOMES PORT OPTIONS
1	1/4" FNPT
2	1/4" SAE J1926
3	1/4" SAE AS5202

MODIFICATIONS	
BLANK	None
E1	1/4" FNPT external sensing port
E2	1/4" SAE J1926 external sensing port
E3	1/4" SAE AS5202 external sensing port

Viton® and Vespel® are registered trademarks of E.I. duPont de Nemours and Company.

PEEK® is a registered trademark of Victrex PLC

Monel® is a registered trademark of Special Metals Corporation

Contact factory for material certifications. Fees may apply.