

# 3000DL SERIES

Dome Loaded, High Pressure  
Pressure Reducing Regulators



Premier 3000DL Series dome loaded, high pressure, pneumatic, pressure reducing regulators: rugged, compact regulators for remotely-controlled high pressure applications. These piston sensed units are rated for inlet and outlet pressures up to 10000 PSIG (*689.5 bar*) and Cv 0.06, 0.12, 0.20, or 0.30.

Premier 3000DL Series regulators are used to regulate a broad range of non-corrosive and corrosive media (based on materials of construction). Captured venting allows fluids/gases to be safely piped away.

## FEATURES

- Captured venting
- Dome loaded for remote pressure control
- Compatible with electro-pneumatic controllers
- 316 & 17-4 stainless steel construction for strength and corrosion resistance
- 10000 PSIG (*689.5 bar*) max inlet
- Cv 0.06, 0.12, 0.20, or 0.30
- Economical pricing
- Machined bar stock body, bonnet and piston reduce particle shedding and contamination

**SOME APPLICATIONS WILL REQUIRE A CUSTOM SOLUTION.**  
CONTACT PREMIER INDUSTRIES TO REQUEST A MODIFICATION  
OR A CUSTOM DESIGN.

## SPECIFICATIONS

- **MAX INLET PRESSURE:**
  - 10000 PSIG (689.5 bar)
- **MAX OUTLET PRESSURE:**
  - 10000 PSIG (689.5 bar)
- **MAX DOME LOAD:** 10000 PSIG (689.5 bar)
- **DOMES TO SENSOR RATIO:** 1:1
- **FLOW (C<sub>v</sub>):** 0.06, 0.12, 0.20, 0.30
- **VENT VALVE (C<sub>v</sub>):** 0.06
- **OPERATING TEMPERATURE:**
  - -15°F/-26°C to 165°F/74°C (BUNA-N)
  - -4°F/-20°C to 165°F/74°C (VITON®)
  - -65°F/-54°C to 165°F/74°C (EPDM)
  - 15°F/-9°C to 165°F/74°C (AFLAS®)
  - -65°F/-54°C to 165°F/74°C (NITRILE)

## MATERIALS OF CONSTRUCTION

- **BODY & BONNET :**
  - 316 Stainless Steel
- **WETTED PARTS, OTHER:**
  - 316 Stainless Steel
  - 17-4 Stainless Steel
- **MAIN VALVE SEAT OPTIONS:**
  - 17-4 Stainless Steel
  - Vespel®
- **VENT VALVE SEAT OPTIONS:**
  - 316 Stainless Steel
  - Vespel®
- **MAIN VALVE / VENT VALVE STEM:**
  - 17-4 Stainless Steel
- **O-RING MATERIAL:**
  - BUNA-N
  - AFLAS®
  - Viton®
  - EPDM
  - FFKM (*Contact Premier for pricing*)
  - Nitrile, Lo-temp
- **BACK-UP RINGS:** PCTFE
- **STANDARD LUBRICANT:** Krytox GPL 206

## PORTING

- **INLET/ OUTLET PORTING OPTIONS:**
  - 1/4", 3/8", 1/2" FNPT
  - 1/4", 1/2", 3/8", SAE J1926
  - 1/4", 1/2", 3/8", SAE AS5202\*
  - 1/4", 3/8", 9/16", Medium pressure
  - 1/4", 3/8", 9/16", High pressure
  - 1/4", 3/8", 1/2", NPTF
- **GAUGE PORTS:**
  - 1/4" FNPT
- **DOMES PORTS:**
  - 1/4" (*match inlet/outlet/vent type*)
- **VENT PORTS:**
  - 1/4" (*match inlet/outlet/vent type*)

## OPTIONS

- Private label
- Panel mounting bracket P/N: 30-10059 (Ø2.15 panel hole)
- Panel mounting nuts P/N: 30-10189 (Ø2.28 panel hole)

\*SAE AS5202 supersedes MS33649

Vespel® & Viton® are registered trademarks of E.I. duPont de Nemours and Company

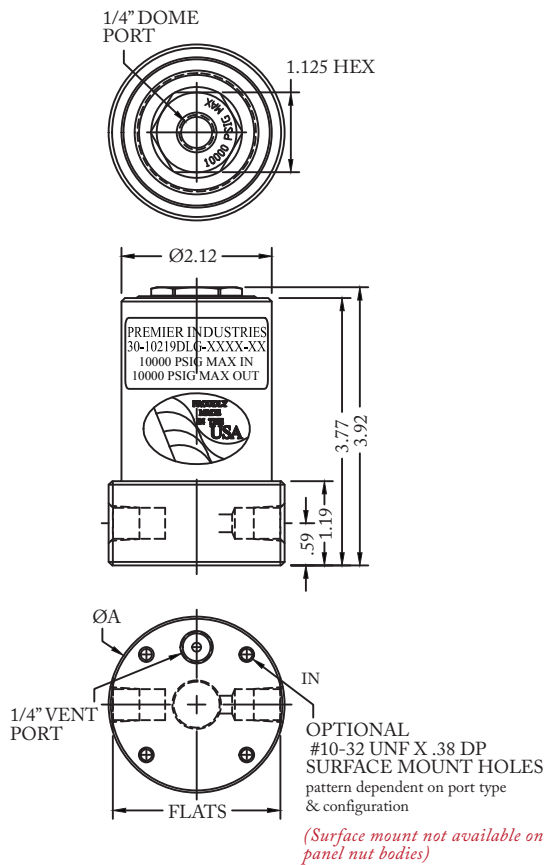
AFLAS® is a registered trademark of the Asahi Glass Co., Ltd.

Krytox® is a registered trademark of The Chemours Company FC, LLC.

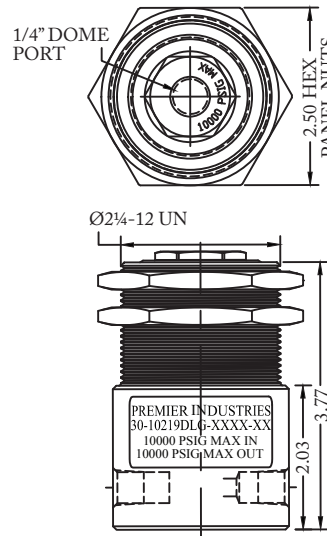
Contact factory for material certifications. Fees may apply.

PART NUMBER: 30-10219DLG

## PANEL MOUNTING BRACKET STYLE



## PANEL NUT STYLE



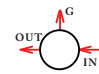
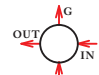
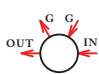
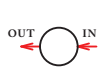
PORT TYPE	ØA	FLATS
NPT, NPTF	Ø2.48	—
1/4" J1926, M.P., H.P.	Ø2.48	2.36
1/4" AS5202	Ø2.98	2.81
3/8" SAE, M.P., H.P.	Ø2.98	2.81
1/2" SAE	Ø3.23	2.98
9/16" M.P.	Ø3.23	2.98

*\*Bodies w/ 'L' porting configurations and 3/8" ports and larger require a larger ØA*

# 3000DL SERIES

Dome Loaded, High Pressure  
Pressure Reducing Regulators

SERIES	-	1	2	3	4	-	5 6	-	MODS
30-10219DLG	-					-		-	

1	MAIN VALVE SEATS & Cv RATING
0	Vespe <sup>l</sup> ® SP-1 Cv 0.06
1	Vespe <sup>l</sup> ® SP-1 Cv 0.12
2	Vespe <sup>l</sup> ® SCP-5000 Cv 0.20
3	Vespe <sup>l</sup> ® SCP-5000 Cv 0.30
2	PORTING CONFIG. (1/4" FNPT)
A	
L	
C	
S	

3	PORT SIZE
4	1/4"
6	3/8"
8	1/2"*
9	9/16**
<i>*1/2" not available in medium &amp; high pressure **9/16" only available in medium &amp; high pressure</i>	
4	PORT TYPE (IN/OUT VENT/DOME)
1	FNPT
2	SAE J1926
3	SAE AS5202*
4	Medium Pressure
5	High Pressure

5 6	O-RINGS
00	BUNA-N
01	AFLAS®
02	VITON®
05	EPDM
11	FFKM <i>CONTACT PREMIER FOR PRICING</i>
12	NITRILE, LO-TEMP
MODIFICATIONS <i>Separate multiple mods with a dash</i>	
Blank	NONE
AC	Krytox 240AC
N	NACE MR0175
PN	PANEL NUT STYLE BODY
PTU	PORT TYPE UNIFORM
SM	SURFACE MOUNT <i>(Not available on panel nut bodies)</i>

\*SAE AS5202 supersedes MS33649

**10000 PSIG MAX INLET**

*The end user is responsible to ensure adequate fittings are used to connect regulator to plumbing.*

*Vespe<sup>l</sup>® & Viton® are registered trademarks of E.I.duPont de Nemours and Company*

*Contact factory for material certifications. Fees may apply.*