

3020 SERIES

High Pressure, Low-torque Hand Knob
Pressure Reducing Regulators



The high pressure Premier 3020 Series pressure reducing regulators are single stage, piston sensed, variable delivery, pressure reducing regulators, designed for inlet and outlet pressures up to 10000 PSIG (689.5 Bar), and Cv 0.04, 0.06, 0.12, 0.2, or, 0.3. This regulator features an easily adjusted, ball bearing hand knob for smooth adjustments.

Premier 3020 Series regulators are used to regulate a broad range of non-corrosive and corrosive media (based on materials of construction). They are designed for increased serviceability and reliable operation with the integral 15 micron stainless steel valve cartridge filter. Premier 3020 Series regulators can be supplied with a wide range of inlet and outlet configurations.

FEATURES

- Low-torque hand knob
- 15 micron stainless steel valve cartridge filter
- Self venting design (*venting can easily be rendered non-operational*)
- Numerous optional features are available
- Captured venting available
- Machined bar stock body, bonnet and piston eliminates porosity found in castings
- Economical pricing

SOME APPLICATIONS WILL REQUIRE A CUSTOM SOLUTION.
CONTACT PREMIER INDUSTRIES TO REQUEST A MODIFICATION
OR A CUSTOM DESIGN.

SPECIFICATIONS

- **MAXIMUM INLET PRESSURE:**
 - **STAINLESS STEEL:** 10000 PSIG (689.5 Bar)
 - **BRASS:** 6000 PSIG (413.7 Bar)
- **CONTROL PRESSURE RANGES:**
 - 0-200 PSIG (0-13.8 Bar)
 - 5-500 PSIG (0.35-34.5 Bar)
 - 5-800 PSIG (0.35-55.2 Bar)
 - 10-1500 PSIG (0.69-103.4 Bar)
 - 15-2500 PSIG (1.0-172.4 Bar)
 - 25-4000 PSIG (1.7-275.8 Bar)
 - 50-6000 PSIG (3.4-413.7 Bar)
 - 100-10000 PSIG (6.9-689.5 Bar)
- **FLOW (Cv):** 0.04, 0.06, 0.12, 0.2, or 0.3
- **OPERATING TEMPERATURES:**
 - BUNA-N: -15°F / -26°C* to 165°F / 74°C
 - Viton®: -4°F / -20°C* to 165°F / 74°C
 - EPDM: -65°F / -54°C to 165°F / 74°C

*lower temperature compounds are available

MATERIALS OF CONSTRUCTION

- **BODY:**
 - 316 Stainless Steel
 - SAE 360 Brass
- **BONNET:**
 - 17-4 Stainless Steel
 - SAE 360 Brass
- **OTHER WETTED PARTS:**
 - 316 Stainless Steel
- **O-RING MATERIAL OPTIONS:**
 - Viton®
 - Buna-N
 - EPDM
 - FFKM (contact Premier for pricing)
 - AFLAS®
 - Polyurethane
 - Nitrile, lo-temp
- **BACK-UP RINGS:**
 - PTFE, and PCTFE
- **MAIN VALVE:**
 - 316 Stainless Steel
- **MAIN VALVE SEAT:**
 - Vespel® (standard)
 - PEEK® (optional)
- **STANDARD LUBRICATION:**
 - Krytox® GPL 206

PORTING

- **INLET/OUTLET PORTING OPTIONS:**
 - 1/4", 3/8", 1/2" FNPT
 - 1/4", 3/8", 1/2" SAE J1926
 - 1/4", 3/8", 1/2" SAE AS5202**
 - 1/4", 3/8", 9/16" Medium Pressure
 - 1/4", 3/8", 9/16" High Pressure

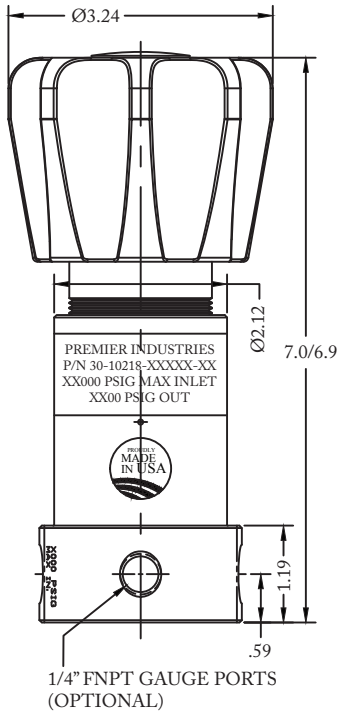
**SAE AS5202 supersedes MS33649

OPTIONS

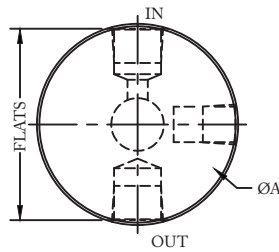
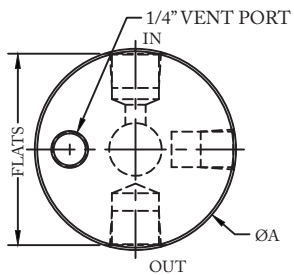
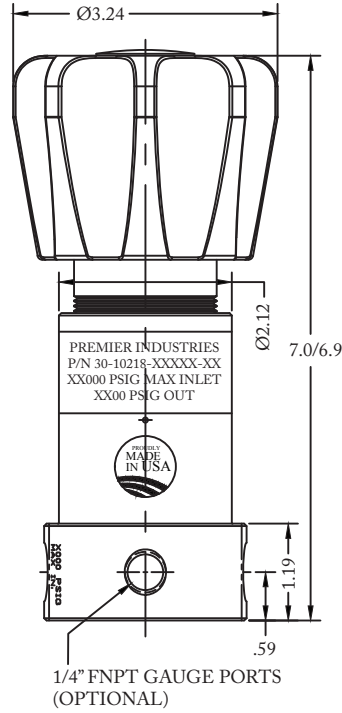
- Gauges
- Captured venting
- Private label
- Panel mounting bracket: P/N: 30-10059
(Ø2.15 panel hole)

Vespel® & Viton® are registered trademarks of E.I. duPont de Nemours and Company
Krytox® is a registered trademark of Chemours Company FC, LLC.
AFLAS® is a registered trademark of the Asahi Glass Co., Ltd.
PEEK® is a registered trademark of Victrex PLC

PART NUMBER: 30-10218GC



PART NUMBER: 30-10218G



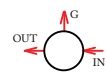
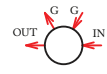
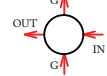

PORT TYPE	ØA	FLATS
NPT, NPTF	Ø2.48	—
1/4" M.P. & H.P.	Ø2.48	2.36
1/4" & 3/8" SAE	Ø2.98	2.81
3/8" M.P. & H.P.	Ø2.98	2.81
1/2" SAE	Ø3.23	2.98
9/16" M.P.	Ø3.23	2.98

PART NUMBER	-	1	2	3	4	5	-	6 7	8	-	MODS
30-10218G	-						-			-	

SELF-VENTING
NON-VENTING MOD. AVAILABLE

1	BODY/BONNET MATERIALS (MAX. INLET PRESSURE)
1	SAE 360 Brass Body & Bonnet (6000 PSIG / 413.7 Bar)
2	316SS Body, 17-4SS Bonnet (10000 PSIG / 689.5 Bar)
2	OUTLET PRESSURE
0	0-200 PSIG (0-13.8 Bar)
1	5-500 PSIG (0.34-34.5 Bar)
2	5-800 PSIG (0.34-55.2 Bar)
3	10-1500 PSIG (0.69-103.4 Bar)
4	15-2500 PSIG (1.0-172.4 Bar)
5	25-4000 PSIG (1.7-275.8 Bar)
6	50-6000 PSIG (3.4-413.7 Bar)
7	100-10000 PSIG (6.9-689.5 Bar) (stainless steel only)

3	FLOW (Cv)
0	Cv 0.06
1	Cv 0.12
2	Cv 0.2
3	Cv 0.3
4	Cv 0.04
4	PORT SIZE Gauge ports 1/4" FNPT
4	1/4"
6	3/8"
8	1/2"
9	9/16"
<i>*1/2" not available in medium pressure **9/16" only available in medium pressure.</i>	
5	PORT TYPE
1	FNPT
2	SAE J1926
3	SAE AS5202
4	Medium Pressure
5	High Pressure
<i>**SAE AS5202 supersedes MS33649</i>	

6 7	O-RINGS
00	BUNA-N
01	AFLAS®
02	VITON®
05	EPDM
11	FFKM <i>(contact Premier for pricing)</i>
12	NITRILE, LO-TEMP
8	PORT CONFIGURATION
A	
C	
L	
S	
MODIFICATIONS <i>Separate multiple mods with a dash</i>	
Blank	none
AC	Krytox 240AC
SM	surface mount*
PTU	port type uniform
PK	PEEK® seat
NV	Non-venting
<i>*Surface mount: pattern dependent on port type, size, and configuration</i>	

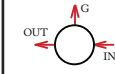
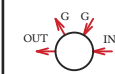
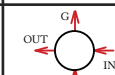
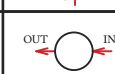
Vespel® & Viton® are registered trademarks of E.I. du Pont de Nemours and Company
AFLAS® is a registered trademark of the Asahi Glass Co., Ltd.
PEEK® is a registered trademark of Victrex PLC
Contact factory for material certifications.
Fees may apply.

SERIES	-	1	2	3	4	5	-	6 7	8	-	MODS
30-10218GC	-						-			-	

CAPTURED-VENTING

1	BODY/BONNET MATERIALS (MAX. INLET PRESSURE)
1	SAE 360 Brass Body & Bonnet (6000 PSIG / 413.7 Bar)
2	316SS Body, 17-4 SS Bonnet (10000 PSIG / 689.5 Bar)
2	OUTLET PRESSURE
0	0-200 PSIG (0-13.8 Bar)
1	5-500 PSIG (0.34-34.5 Bar)
2	5-800 PSIG (0.34-55.2 Bar)
3	10-1500 PSIG (0.69-103.4 Bar)
4	15-2500 PSIG (1.0-172.4 Bar)
5	25-4000 PSIG (1.7-275.8 Bar)
6	50-6000 PSIG (3.4-413.7 Bar)
7	100-10000 PSIG (6.9-689.5 Bar) (stainless steel only)

3	FLOW (Cv)
0	Cv 0.06
1	Cv 0.12
2	Cv 0.2
3	Cv 0.3
4	Cv 0.04
4	PORT SIZE
4	1/4"
6	3/8"
8	1/2"*
9	9/16"**
<i>*1/2" not available in medium pressure **9/16" only available in medium pressure.</i> GAUGE PORTS: 1/4" FNPT VENT PORT: 1/4" inlet/outlet port type	
5	PORT TYPE
1	FNPT
2	SAE J1926
3	SAE AS5202
4	Medium Pressure
5	High Pressure
<i>**SAE AS5202 supersedes MS33649</i>	

6 7	O-RINGS
00	BUNA-N
01	AFLAS®
02	VITON®
05	EPDM
11	FFKM <i>(contact Premier for pricing)</i>
12	NITRILE, LO-TEMP
8	PORT CONFIGURATION
A	
C	
L	
S	
MODIFICATIONS	
<i>Separate multiple mods with a dash</i>	
BLANK	None
AC	Krytox 240AC
PTU	Port type uniform
PK	PEEK® seat
SM	Surface mount*
<i>*Surface mount: pattern dependent on port type, size, and configuration</i>	

10000 PSIG MAX INLET

The end user is responsible to ensure adequate fittings are used to connect regulator to plumbing.

Viton® is a registered trademark of E.I. duPont de Nemours and Company
AFLAS® is a registered trademark of the Asahi Glass Co., Ltd.
PEEK® is a registered trademark of Victrex PLC

Contact factory for material certifications.
Fees may apply.