

3025AL SERIES

Air Loaded, High Pressure, 20000 PSIG MAX
Pressure Reducing Regulators



Premier 3025AL Series air loaded, pneumatic, high pressure, pressure reducing regulators are piston sensed, single stage, pressure reducing regulators rated for inlet and outlet pressures up to 20000 PSIG (*1378.95 bar*), and Cv 0.043. Captured venting standard.

FEATURES

- Rated for pressures up to 20000 PSIG (*1378.95 bar*)
- Compatible with electro-pneumatic controllers
- Flow capacity (Cv): 0.043
- Captured venting
- Very competitive pricing
- Machined bar stock body, bonnet and piston eliminates porosity found in castings

SOME APPLICATIONS WILL REQUIRE A CUSTOM SOLUTION.
CONTACT PREMIER INDUSTRIES TO REQUEST A MODIFICATION
OR A CUSTOM DESIGN.

3025AL SERIES

Air Loaded, High Pressure, 20000 PSIG MAX
Pressure Reducing Regulators

SPECIFICATIONS

- **MAXIMUM INLET PRESSURE:**
 - 20000 PSIG (1378.95 bar)
- **MAXIMUM LOAD PRESSURE:**
 - 100 PSIG (6.89 bar)
- **CONTROL PRESSURE RANGE:**
 - 300-3000 PSIG (20.68 - 206.84 bar)
Diameter: 0.656"
Area: 0.338 in²
*Ratio: ³⁷/₁ ***
 - 600-6000 PSIG (41.37 - 413.69 bar)
Diameter: 0.462"
Area: 0.1676 in²
*Ratio: ⁷⁵/₁ ***
 - 950-10000 PSIG (65.50 - 689.48 bar)
Diameter: 0.362"
Area: 0.1029 in²
*Ratio: ¹²²/₁ ***
 - 1450-15000 PSIG (99.97 - 1034.21 bar)
Diameter: 0.313"
Area: 0.0769 in²
*Ratio: ¹⁶³/₁ ***
 - 2000-20000 PSIG (137.90 - 1378.95 bar)
Diameter: 0.25"
Area: 0.0491 in²
*Ratio: ²⁵⁶/₁ ***

*** 4.0" diameter diaphragm
Diaphragm area: 12.5664 in²*

- **FLOW (Cv):** 0.043
- **VENT VALVE (Cv):** 0.043

MATERIALS OF CONSTRUCTION

- **WETTED PARTS:**
 - 316 Stainless Steel, 17-4 Stainless Steel
- **VALVES:**
 - 17-4 Stainless Steel, Hardened
- **HOUSING, AIR ACTUATOR:**
 - 6061-T6 Aluminum, Clear Anodized
- **DIAPHRAGM, AIR ACTUATOR:**
 - Neoprene, Nylon Fabric Reinforced
- **O-RINGS:**
 - BUNA-N
 - Aflas®
 - Viton®
 - EPDM
 - FFKM (*Contact Premier for pricing*)
- **BACK-UP RINGS:** PCTFE
- **MAIN & VENT VALVE SEATS:** Vespel®
- **STANDARD LUBRICANT:** Krytox® GPL 206

PORTING

- **INLET/ OUTLET/VENT PORTING:**
 - 1/4" medium pressure, high pressure
 - 3/8" medium pressure, high pressure
- **LOAD PORT:**
 - 1/4" FNPT (100 psig max)
see pg 3 for additional load port options
- **VENT PORT:**
 - 1/4" inlet/outlet port type
- **OPTIONAL GAUGE PORT:**
 - 1/4" inlet/outlet port type

OPTIONAL ITEMS

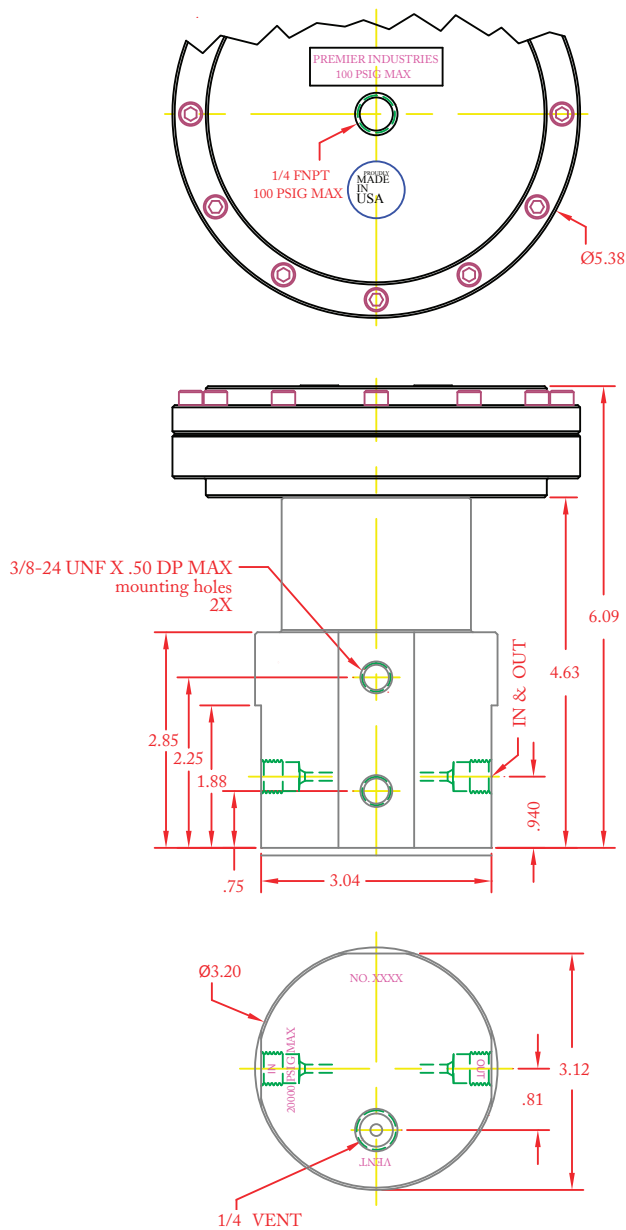
- Gauge
- Panel mounting bracket: P/N: 30-10500 (2.53 in panel hole)
- Private label

*Vespel® & Viton® are registered trademarks of E.I. duPont
de Nemours and Company*

*Krytox® is a registered trademark of The Chemours
Company FC, LLC.*

Contact factory for material certifications. Fees may apply.

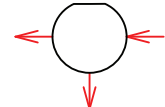
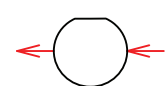
PART NUMBER: 30-10215ALG



3025AL SERIES

Air Loaded, High Pressure, 20000 PSIG MAX
Pressure Reducing Regulators

PART #	-	1	2	3	4	-	5	6	-	MODS
30-10215ALG	-					-			-	

1	OUTLET PRESSURE
3	300 - 3000 psig (20.68 - 206.84 bar)
6	600 - 6000 psig (41.37 - 413.69 bar)
7	950 - 10000 psig (65.50 - 689.48 bar)
8	1450 - 15000 psig (99.97 - 1034.21 bar)
9	2000 - 20000 psig (137.90 - 1378.95 bar)
2	PORTING CONFIG.
B	
S	

3	PORT SIZE (IN/OUT)
4	1/4"
6	3/8"
<p><i>VENT PORT: 1/4" inlet/outlet port type</i></p> <p><i>LOAD PORT: 1/4" FNPT standard, see mods for additional load port options.</i></p> <p><i>GAUGE PORT: 1/4" inlet/outlet port type</i></p>	
4	PORT TYPE (IN/OUT/VENT)
4	Medium pressure
5	High pressure
5 6	O-RINGS
00	BUNA-N
01	AFLAS®
02	VITON®
05	EPDM
11	FFKM <i>(Contact Premier for pricing)</i>

MODIFICATIONS	
BLANK	NONE
AC	Krytox 240AC
AS	1/4 AS5202 LOADER PORT
E	1/8 NPT LOADER PORT
J	1/4 SAE J1926 LOADER PORT
SM	SURFACE MOUNT

20000 PSIG MAX INLET
The end user is responsible to ensure adequate fittings are used to connect regulator to plumbing.

Viton® is a registered trademark of E.I.duPont de Nemours and Company

Aflas® is a registered trademark of the Asahi Glass Co., Ltd.

Contact factory for material certifications. Fees may apply.