

3025 SERIES

High Pressure, 20000 PSIG MAX
Pressure Reducing Regulators



Premier 3025 Series high pressure, pressure reducing regulators are single stage, pneumatic, piston sensed pressure reducing regulators. 3025 Series regulators are rated for inlet and outlet pressures up to 20000 PSIG (*1378.95 bar*), and Cv 0.04. The 3025 series regulator features a low torque, ball-bearing hand knob, and optional mounting styles to ensure a smooth integration into your high pressure application. Captured venting standard.

FEATURES

- Rated for pressures up to 20000 PSIG (*1378.95 bar*)
- Cv 0.04
- Captured venting
- Low torque, ball-bearing hand knob
- Optional tamper resistant acorn nut
- Optional panel mounting bracket style body or threaded body with panel mounting nuts
- Very competitive pricing
- Machined bar stock body, bonnet and piston eliminates porosity found in castings

SOME APPLICATIONS WILL REQUIRE A CUSTOM SOLUTION.
CONTACT PREMIER INDUSTRIES TO REQUEST A MODIFICATION
OR A CUSTOM DESIGN.

SPECIFICATIONS

- **MAXIMUM INLET PRESSURE:**
 - 20000 PSIG (1378.95 bar)
- **CONTROL PRESSURE RANGE:**
 - 125-500 PSIG (8.62 - 34.47 bar)
 - 125-1500 PSIG (8.62 - 103.42 bar)
 - 300-3000 PSIG (20.68 - 206.84 bar)
 - 600-6000 PSIG (41.37 - 413.69 bar)
 - 950-10000 PSIG (65.50 - 689.48 bar)
 - 1450-15000 PSIG (99.97 - 1034.21 bar)
 - 2000-20000 PSIG (137.90 - 1378.95 bar)
- **FLOW (C_v):** 0.04
- **OPERATING TEMPERATURE:**
 - -15°F/-26°C to 165°F/74°C (BUNA-N)
 - -4°F/-20°C to 165°F/74°C (VITON®)
 - -65°F/-54°C to 165°F/74°C (EPDM)

***lower temperature compounds available upon request*

MATERIALS OF CONSTRUCTION

- **BODY:** 17-4 Stainless Steel
- **BONNET:** 17-4 Stainless Steel
- **WETTED PARTS, OTHER:**
 - 316 Stainless Steel
 - 17-4 Stainless Steel
- **O-RING OPTIONS:**
 - Buna-N
 - Aflas®
 - Viton®
 - EPDM
 - FFKM (Contact Premier for pricing)
- **BACK-UP RINGS:** PCTFE & PEEK
- **VALVES:** 17-4 Stainless Steel, Hardened
- **VALVE SEAT:** Vespel®
- **STANDARD LUBRICATION:** Krytox® GPL 206

PORTING

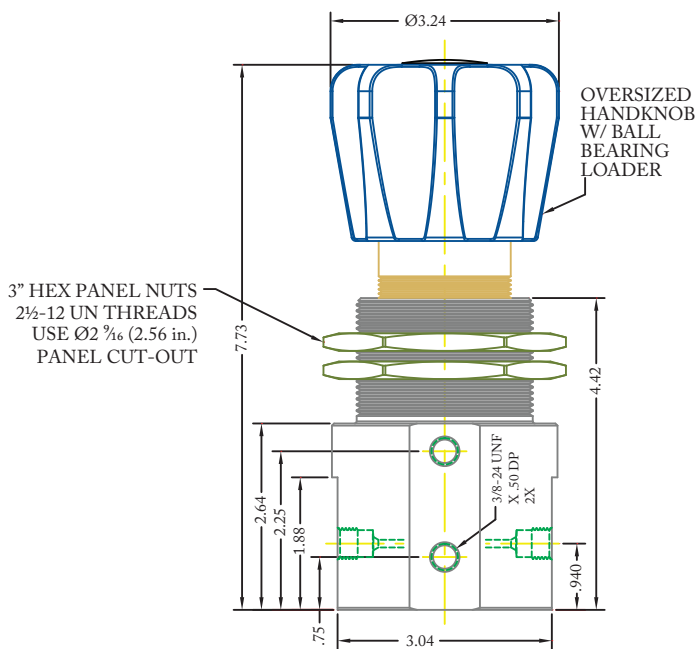
- **INLET PORTING OPTIONS:**
 - 1/4" Medium pressure, High Pressure
 - 3/8" Medium pressure, High Pressure
- **OUTLET PORTING OPTIONS:**
 - 1/4" Medium pressure, High Pressure
 - 3/8" Medium pressure, High Pressure
- **VENT PORT:**
 - 1/4" inlet/outlet type
- **OPTIONAL GAUGE PORT:**
 - 1/4" inlet/outlet type

Vespel® & Viton® are registered trademarks of E.I. duPont de Nemours and Company
AFLAS® is a registered trademark of the Asahi Glass Co., Ltd.
Krytox® is a registered trademark of The Chemours Company FC, LLC.

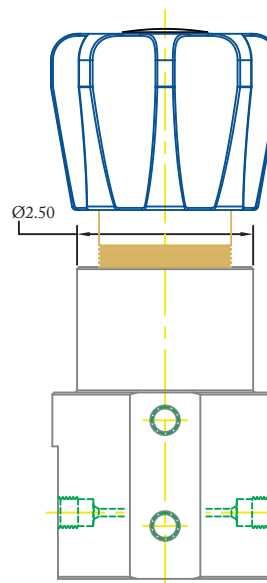
Contact factory for material certifications. Fees may apply.

PART NUMBER: 30-10215G

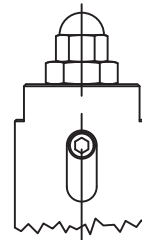
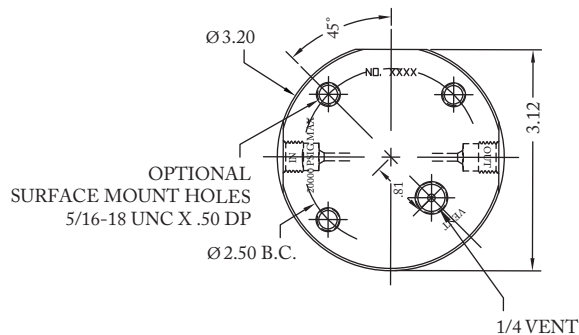
PANEL NUT STYLE BODY



MOUNTING BRACKET STYLE BODY



TAMPER RESISTANT ACORN NUT (Optional)

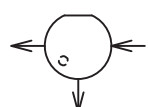
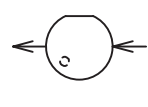


3025 SERIES

High Pressure, 20000 PSIG MAX
Pressure Reducing Regulators

PART #	1	2	-	3	4	5	6	7	-	8	9	-	MODS
30-10215G			-						-			-	

1 2	BODY STYLE
MB	Mounting bracket style body
PN	Panel nut style body <i>(panel nuts included)</i>
3	OUTLET PRESSURE
0	125 - 500 psig <i>(8.62 - 34.47 bar)</i>
2	125 - 1500 psig <i>(8.62 - 103.42 bar)</i>
3	300 - 3000 psig <i>(20.68 - 206.84 bar)</i>
6	600 - 6000 psig <i>(41.37 - 413.69 bar)</i>
7	950 - 10000 psig <i>(65.50 - 689.48 bar)</i>
8	1450 - 15000 psig <i>(99.97 - 1034.21 bar)</i>
9	2000 - 20000 psig <i>(137.90 - 1378.95 bar)</i>
4	FLOW (Cv)
0	Cv: 0.04

5	PORTING CONFIGURATION
B	
S	
6	PORT SIZE
4	1/4"
6	3/8"
<i>VENT PORT: 1/4" inlet/outlet port type</i> <i>GAUGE PORT: 1/4" inlet/outlet port type</i>	
7	PORT TYPE (IN/OUT/VENT)
4	Medium pressure
5	High pressure

8 9	O-RING MATERIAL
00	BUNA-N
01	AFLAS®
02	VITON®
05	EPDM
11	FFKM <i>(Contact Premier for pricing)</i>
MODIFICATIONS	
BLANK	None
AC	Krytox 240AC
ANT	Acorn Nut
BA	Bronze spring actuator
SM	Surface mount

20000 PSIG MAX INLET (STAINLESS STEEL)

The end user is responsible to ensure adequate fittings are used to connect regulator to plumbing

Viton® is a registered trademark of E.I.duPont de Nemours and Company

AFLAS® is a registered trademark of the Asahi Glass Co., Ltd.

Contact factory for material certifications. Fees may apply.