

# 3100DL SERIES

Dome Loaded, High Pressure  
Back Pressure Regulators



Premier 3100DL Series dome loaded, piston sensed, single stage, high pressure, back pressure regulators are rated for control pressures up to 6000 PSIG (*413.69 bar*), and Cv 0.06, 0.14, or 0.2. Premier 3100DL Series regulators are used to regulate a broad range of non-corrosive and corrosive media (*based on materials of construction*).

## FEATURES

- Compatible with electro pneumatic controllers
- 1:1 dome load
- Cv 0.06, 0.14, or 0.2
- Control pressures up to 6000 PSIG (*413.69 bar*)
- Very competitive pricing
- Machined bar stock body, bonnet and piston eliminates porosity found in castings
- Hydraulic versions available
- Designs available with bias spring

**SOME APPLICATIONS WILL REQUIRE A CUSTOM SOLUTION.**  
CONTACT PREMIER INDUSTRIES TO REQUEST A MODIFICATION  
OR A CUSTOM DESIGN.

## SPECIFICATIONS

- **MAXIMUM INLET PRESSURE:**
  - REGULATOR: 6000 PSIG (413.69 bar)
  - DOME LOAD: 6000 PSIG (413.69 bar)
- **MAXIMUM CONTROL PRESSURE:**
  - 6000 PSIG (413.69 bar)
- **FLOW (Cv):** 0.06, 0.14, or 0.20

## MATERIALS OF CONSTRUCTION

- **BODY OPTIONS:**
  - SAE 360 Brass
  - 316 Stainless Steel
- **BONNET OPTIONS:**
  - SAE 360 Brass
  - 303 Stainless Steel
- **MAIN VALVE SEAT:**
  - Vespel®
- **ELASTOMER SEAL OPTIONS:**
  - BUNA-N
  - Viton®
  - EPDM
  - FFKM (*Contact Premier for pricing*)
- **WETTED PARTS:**
  - 300 Series Stainless Steel
  - 17-4 Stainless Steel
- **STANDARD LUBRICANT:**
  - Krytox GPL 206

## PORTING

- **INLET/OUTLET OPTIONS**
  - 1/4", 3/8" FNPT
  - 1/4", 3/8" SAE J1926
  - 1/4", 3/8" SAE AS5202 (MS33649\*\*)
- **LOAD PORT:** 1/8" FNPT

## OPTIONAL ITEMS

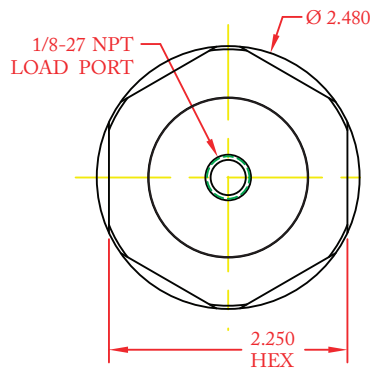
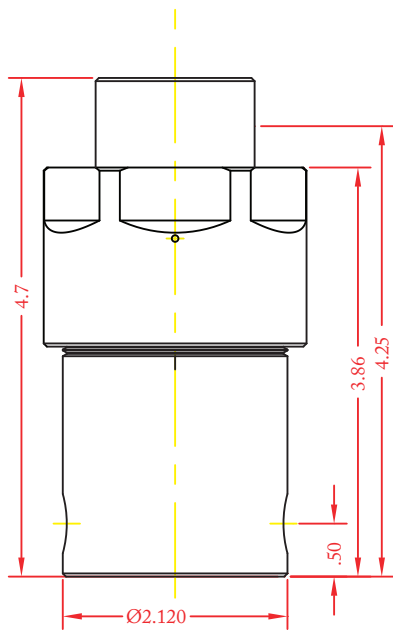
- Private label
- Load port orientation
- Bias spring

\*\*SAE AS5202 supersedes MS33649

Vespel® & Viton® are registered trademarks of E.I. du Pont de Nemours and Company

Krytox® is a registered trademark of The Chemours Company FC, LLC.

PART NUMBER: 30-10211DG



# 3100DL SERIES

Dome Loaded, High Pressure  
Back Pressure Regulators

SERIES	-	1	2	3	4	-	5 6	-	7	-	MODS
30-10211DG	-					-		-		-	

1	BODY MATERIALS (MAX. INLET PRESSURE)
1	SAE 360 Brass body & bonnet
2	316 Stainless Steel body, 303 Stainless steel bonnet
2	FLOW (Cv)
0	Cv 0.06
1	Cv 0.14
2	Cv 0.2
3	PORT SIZE
4	1/4"
6	3/8"
<i><b>DOMES PORT: 1/8-27 FNPT</b></i>	

4	PORT TYPE
1	FNPT
2	SAE J1926
3	SAE AS5202 (MS33649**)
<i>**SAE AS5202 SUPERSEDES MS33649</i>	
5 6	O-RING MATERIAL
00	BUNA-N
02	VITON®
05	EPDM
11	FFKM <i>(Contact Premier for pricing)</i>

7	VALVE SEAT
0	Vespel®
MODIFICATION	
BLANK	NONE
AC	Krytox 240AC

*6000 PSIG MAX INLET  
The end user is responsible to ensure adequate fittings  
are used to connect regulator to plumbing.*

*Vespel® and Viton® are registered trademarks of  
E.I. duPont de Nemours and Company*

*Krytox® is a registered trademark of The Chemours  
Company FC, LLC.*

*Contact factory for material certifications.  
Fees may apply.*