

# 3400 SERIES

High Sensitivity, High Pressure  
Pressure Reducing Regulators



Premier 3400 Series high pressure, diaphragm sensed, pressure reducing regulators offer high sensitivity with precise outlet pressure control. These precision, diaphragm sensed, pressure reducing regulators are rated for inlet pressures up to 6000 psig (414 bar), outlet pressures up to 600 psig (41.4 bar) and Cv 0.06 or 0.20. The 3400 Series self-venting option enables the operator to vent downstream pressures through the regulator to reduce the pressure in a closed system. The self-venting feature can be rendered non-operational if a non-venting design is desired.

## FEATURES

- Great sensitivity
- Large elastomeric diaphragm
- Optional panel mounting bracket
- Self-venting and non-venting options
- 316 stainless steel filter extends the life of the seat
- Cv 0.06, 0.20
- Optional tamper resistant acorn nut

**SOME APPLICATIONS WILL REQUIRE A CUSTOM SOLUTION.**  
CONTACT PREMIER INDUSTRIES TO REQUEST A MODIFICATION  
OR A CUSTOM DESIGN.

## SPECIFICATIONS

- **MAXIMUM INLET PRESSURE:**
  - 6000 PSIG (414 bar)
- **OUTLET PRESSURE RANGE:**
  - 0-50 PSIG (0 - 3.4 bar)
  - 0-150 PSIG (0 - 10.3 bar)
  - 0-250 PSIG (0 - 17.2 bar)
  - 0-500 PSIG (0 - 34.5 bar)
  - 0-600 PSIG (0 - 41.4 bar)
- **FLOW (C<sub>v</sub>):** 0.06, 0.20
- **OPERATING TEMPERATURE:**
  - -40°F to 165°F / -40°C to 74°C
- **LEAKAGE:**
  - Bubble tight

## MATERIALS OF CONSTRUCTION

- **BODY & BONNET OPTIONS:**
  - 316 Stainless Steel
  - 2024-T351 Aluminum
  - SAE 360 Brass
- **DIAPHRAGM OPTIONS:**
  - Buna-N
  - Neoprene
- **MAIN VALVE ACTUATOR PIN:**
  - 17-4 H900 Stainless Steel
- **MAIN VALVE SEAT:**
  - PCTFE
- **VENT VALVE SEAT:**
  - PCTFE
- **O-RINGS:**
  - PTFE
- **FILTER:**
  - 15 micron, 316 Stainless Steel
- **REMAINING PARTS:**
  - 300 Series Stainless Steel
- **STANDARD LUBRICANT:**
  - Krytox® GPL 206

## PORTING

- **INLET & OUTLET OPTIONS:**
  - 1/4", 3/8", 1/2" FNPT
  - 1/4", 3/8", 1/2" SAE J1926, SAE AS5202\*
- **GAUGE PORTS:**
  - 1/4" FNPT

## OPTIONAL ITEMS

- Panel mounting bracket: P/N: 30-10059 (Ø2.15 panel hole)
- Gauges
- Self-venting or non-venting
- Tamper resistant acorn nut
- Private labeling

*\*SAE AS5202 supersedes MS33649*

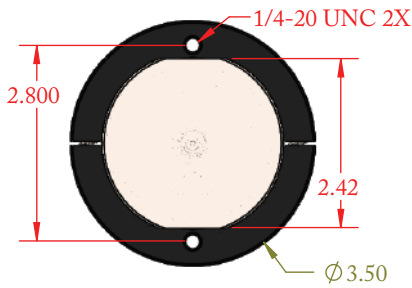
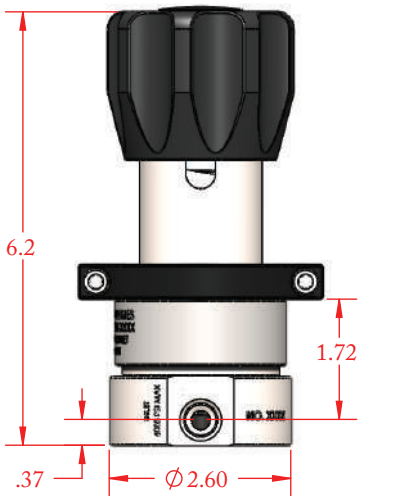
*Krytox® is a registered trademark of The Chemours Company FC, LLC.*

*Contact factory for material certifications. Fees may apply.*

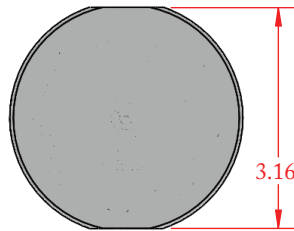
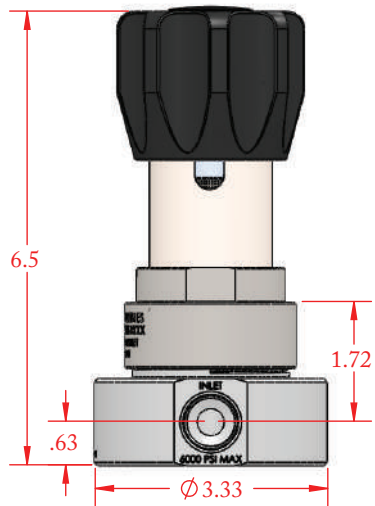
# 3400 SERIES

High Sensitivity, High Pressure  
Pressure Reducing Regulators

PART NUMBER: 30-10435



1/4" PORTS W/  
OPTIONAL MOUNTING  
BRACKET






1/2" PORTS

PART #	-	1	2	3	4	-	5	6	7	8	9	-	MODS
30-10435	-					-						-	

1	PORTING
1	1/4" NPT
2	3/8" NPT
3	1/2" NPT
4	1/4" SAE J1926
5	3/8" SAE J1926
6	1/4" SAE AS5202*
7	3/8" SAE AS5202*
8	1/2" SAE J1926
9	1/2" SAE AS5202*
<i>GAUGE PORTS: 1/4" FNPT</i>	
2	Cv RATING
0	0.06
1	0.20
3	VENTING
1	Self-venting
2	Non-venting

4	BODY/BONNET/ RETAINER MATERIALS
1	SAE 360 Brass
2	316 Stainless Steel
3	Aluminum
5	FILTER
1	15 micron
6	DIAPHRAGM MATERIAL
1	Buna-N
2	Neoprene
7	OUTLET PRESSURE
0	600 psig (41.4 bar)
1	500 psig (34.5 bar)
2	250 psig (17.2 bar)
3	150 psig (10.3 bar)
4	50 psig (3.4 bar)

8	MOUNTING BRACKET
1	No bracket
2	Aluminum mounting bracket
3	Stainless steel mounting bracket
9	PORTING
NONE	'S' porting configuration 
C	'C' porting configuration 
A	'A' porting configuration 
MODIFICATIONS	
A	Acorn nut
AC	Krytox 240AC
E	Laser engrave label

\*SAE AS5202 supersedes MS33649

**6000 PSIG MAX INLET**

*The end user is responsible to ensure adequate fittings are used to connect regulator to plumbing.*

*Contact factory for material certifications.*

*Fees may apply.*