

# 6025AL SERIES

Air Loaded, High Pressure, Hydraulic, 20000 PSIG  
Pressure Reducing Regulators



Premier 6025AL Series air loaded, hydraulic, high pressure, pressure reducing regulators are piston sensed, single staged, pressure reducing regulators rated for inlet and outlet pressures up to 20000 PSIG (*1378.95 bar*), and Cv 0.06, 0.12, or 0.30. Premier 6025AL series hydraulic regulators feature a hardened stainless steel seat. Captured venting allows media to be safely piped away.

## FEATURES

- Rated for pressures up to 20000 PSIG (*1378.95 bar*)
- Compatible with electro pneumatic controllers
- Flow capacity (Cv): 0.06, 0.12, or 0.30
- Durable hardened stainless steel seat
- Captured venting
- Very competitive pricing
- Machined bar stock body, bonnet and piston eliminates porosity found in castings

**SOME APPLICATIONS WILL REQUIRE A CUSTOM SOLUTION.**  
CONTACT PREMIER INDUSTRIES TO REQUEST A MODIFICATION  
OR A CUSTOM DESIGN.

## SPECIFICATIONS

- **MAXIMUM INLET PRESSURE:**
  - 20000 PSIG (1378.95 bar)
- **MAXIMUM LOAD PRESSURE:**
  - 100 PSIG (6.89 bar)
- **CONTROL PRESSURE RANGE:**
  - 300 - 3000 psig (20.68 - 206.84 bar)
    - Diameter: 0.656"
    - Area: 0.338 in<sup>2</sup>
    - Ratio: 1<sup>22</sup>/<sub>1</sub> \*\*
  - 600 - 6000 psig (41.37 - 413.69 bar)
    - Diameter: 0.462"
    - Area: 0.1676 in<sup>2</sup>
    - Ratio: 7<sup>5</sup>/<sub>1</sub> \*\*
  - 950-10000 PSIG (65.50 - 689.48 bar)
    - Diameter: 0.362"
    - Area: 0.1029 in<sup>2</sup>
    - Ratio: 1<sup>22</sup>/<sub>1</sub> \*\*
  - 1450-15000 PSIG (99.97 - 1034.21 bar)
    - Diameter: 0.313"
    - Area: 0.0769 in<sup>2</sup>
    - Ratio: 1<sup>63</sup>/<sub>1</sub> \*\*
  - 2000-20000 PSIG (137.90 - 1378.95 bar)
    - Diameter: 0.25"
    - Area: 0.0491 in<sup>2</sup>
    - Ratio: 2<sup>56</sup>/<sub>1</sub> \*\*

\*\* 4.0" diameter diaphragm  
Diaphragm area: 12.5664 in<sup>2</sup>

- **FLOW (Cv):** 0.06, 0.12, or 0.30
- **OPERATING TEMPERATURE:**
  - -15°F/-26°C to 165°F/74°C (BUNA-N)
  - -4°F/-20°C to 165°F/74°C (VITON®)
  - -65°F/-54°C to 165°F/74°C (EPDM)

\*\*lower temperature compounds available upon request

Viton® is a registered trademark of E.I.duPont de Nemours and Company  
PEEK® is a trademark of Victrex PLC  
Krytox® is a registered trademark of The Chemours Company FC, LLC.

Contact factory for material certifications. Fees may apply.

## MATERIALS OF CONSTRUCTION

- **WETTED PARTS, OTHER:**
  - 316 Stainless Steel
  - 17-4 Stainless Steel
- **VALVES:**
  - 17-4 Stainless Steel, hardened
- **HOUSING, AIR ACTUATOR:**
  - 6061-T6 Aluminum, Clear Anodized
- **DIAPHRAGM, AIR ACTUATOR:**
  - Neoprene, Nylon Fabric Reinforced
- **O-RING OPTIONS:**
  - BUNA-N
  - AFLAS®
  - Viton®
  - EPDM
  - FFKM (Contact Premier for pricing)
- **BACK-UP RINGS: PCTFE & PEEK®**
- **VALVE SEAT:**
  - 17-4 Stainless Steel, hardened
- **STANDARD LUBRICATION:**
  - Krytox® GPL 206

## PORTING

- **INLET / OUTLET / VENT PORTING OPTIONS :**
  - 1/4" Medium Pressure, High Pressure
  - 3/8" Medium Pressure, High Pressure
  - 9/16" Medium Pressure, High Pressure
- **LOAD PORT:** 1/4" FNPT standard  
*see mods on pg. 3 for other load port options*

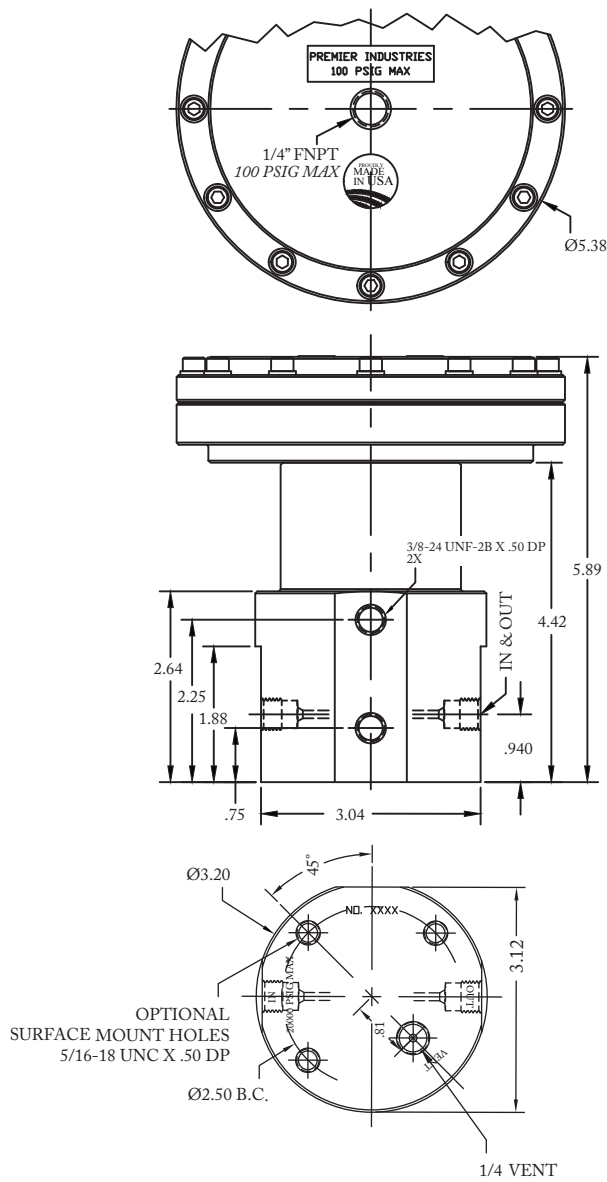
## OPTIONAL ITEMS

- Private label
- Panel mounting bracket: P/N: 30-10500  
(2.53 in panel hole)

# 6025AL SERIES

Air Loaded, High Pressure, Hydraulic, 20000 PSIG Pressure Reducing Regulators

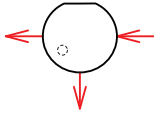
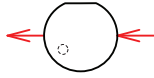
PART NUMBER: 30-10215AL



# 6025AL SERIES

Air Loaded, High Pressure, Hydraulic, 20000 PSIG  
Pressure Reducing Regulators

PART #:	-	1	2	3	4	5	-	6 7	-	MODS
30-10215AL	-						-		-	

1	OUTLET PRESSURE
3	300 - 3000 psig (20.68 - 206.84 bar)
6	600 - 6000 psig (41.37 - 413.69 bar)
7	950 - 10000 psig (65.50 - 689.48 bar)
8	1450 - 15000 psig (99.97-1034.21 bar)
9	2000 - 20000 psig (137.90-1378.95 bar)
2	FLOW (Cv)
0	Cv 0.06
1	Cv 0.12
3	Cv 0.30
3	PORTING CONFIG.
B	
S	

4	PORT SIZE (IN/OUT)
4	1/4"
6	3/8"
9	9/16"
<i>VENT PORT: 1/4" inlet/outlet port type</i>	
<i>LOAD PORT: 1/4" FNPT standard, see mods for additional load port options.</i>	
5	PORT TYPE (IN/OUT/VENT)
4	Medium pressure
5	High pressure
6 7	O-RINGS
00	BUNA-N
01	AFLAS®
02	VITON®
05	EPDM
11	FFKM <i>(Contact Premier for pricing)</i>

MODIFICATIONS	
BLANK	NONE
AC	KRYTOX 240AC
AS	1/4 AS5202 LOADER PORT
E	1/8 NPT LOADER PORT
J	1/4 SAE J1926 LOADER PORT
SM	SURFACE MOUNT

**20000 PSIG MAX INLET (STAINLESS STEEL)**

*The end user is responsible to ensure adequate fittings are used to connect regulator to plumbing.*

*Viton® are registered trademarks of E.I.duPont de Nemours and Company*

*Krytox® is a registered trademark of The Chemours Company FC, LLC.*

*Contact factory for material certifications. Fees may apply.*