

# 6025 SERIES

High Pressure, Hydraulic, 20000 PSIG  
Pressure Reducing Regulators



Premier 6025 Series hydraulic, high pressure, pressure reducing regulators are single stage, piston sensed regulators rated for inlet and outlet pressures up to 20000 PSIG (*1378.95 bar*), and Cv 0.06, 0.12, or 0.20. Premier 6025 series hydraulic regulators feature a hardened stainless steel seat. Captured venting allows media to be safely piped away.

## FEATURES

- Rated for pressures up to 20000 PSIG (*1378.95 bar*)
- Flow capacity (Cv): 0.06, 0.12, or 0.20
- Durable hardened stainless steel seat
- Captured venting
- Optional tamper resistant acorn nut
- Very competitive pricing
- Machined bar stock body, bonnet and piston eliminates porosity found in castings

**SOME APPLICATIONS WILL REQUIRE A CUSTOM SOLUTION.**  
CONTACT PREMIER INDUSTRIES TO REQUEST A MODIFICATION  
OR A CUSTOM DESIGN.

## SPECIFICATIONS

- **MAXIMUM INLET PRESSURE:**
  - 20000 PSIG (1378.95 bar)
- **CONTROL PRESSURE RANGE:**
  - 950-10000 PSIG (65.50 - 689.48 bar)
  - 1450-15000 PSIG (99.97 - 1034.21 bar)
  - 2000-20000 PSIG (137.90 - 1378.95 bar)
- **FLOW (Cv):** 0.06, 0.12 or 0.20
- **OPERATING TEMPERATURE:**
  - -15°F/-26°C to 165°F/74°C (BUNA-N)
  - -4°F/-20°C to 165°F/74°C (VITON®)
  - -65°F/-54°C to 165°F/74°C (EPDM)

*\*\*lower temperature compounds available upon request*

## MATERIALS OF CONSTRUCTION

- **BODY & BONNET:**
  - 17-4 Stainless Steel
- **BONNET:**
  - 17-4 Stainless Steel
- **WETTED PARTS, OTHER:**
  - 316 Stainless Steel
  - 17-4 Stainless Steel
- **O-RINGS:**
  - Buna-N
  - Aflas®
  - Viton®
  - EPDM
  - FFKM (*Contact Premier for pricing*)
- **BACK-UP RINGS:** PCTFE & PEEK
- **VALVES:**
  - 17-4 Stainless Steel, Hardened
- **VALVE SEAT:**
  - 17-4 Stainless Steel, Hardened
- **STANDARD LUBRICANT:**
  - Krytox® GPL 206

## PORTING

- **INLET PORTING OPTIONS:**
  - 1/4" medium pressure, high pressure
  - 3/8" medium pressure, high pressure
- **OUTLET PORTING OPTIONS:**
  - 1/4" medium pressure, high pressure
  - 3/8" medium pressure, high pressure
- **VENT PORT:**
  - 1/4" inlet/outlet port type

## OPTIONAL ITEMS

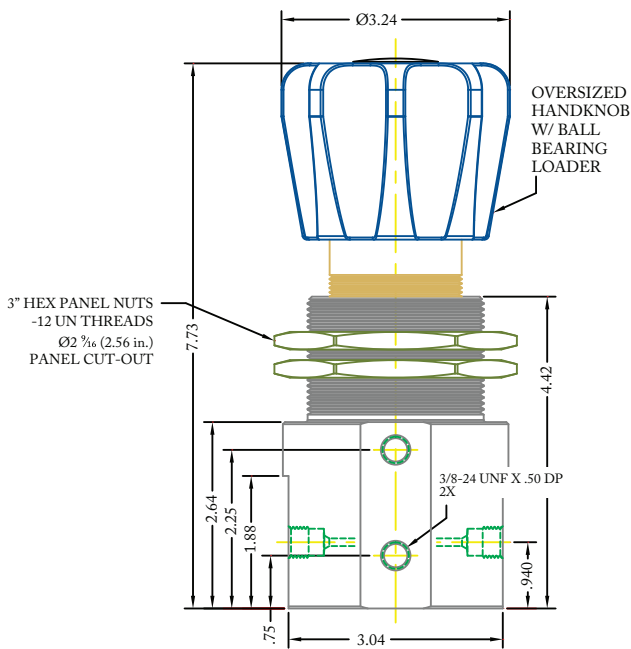
- Private label
- Panel mounting nuts
- Panel mounting bracket: P/N: 30-10500  
(2.53 in panel hole)
- Tamper resistant acorn nut
- Optional mod with Cv 0.04 and Vespel® seat

*Vespel® and Viton® are registered trademarks of E.I.duPont de Nemours and Company  
AFLAS® is a registered trademark of the Asahi Glass Co., Ltd.  
Krytox® is a registered trademark of Chemours Company FC, LLC.*

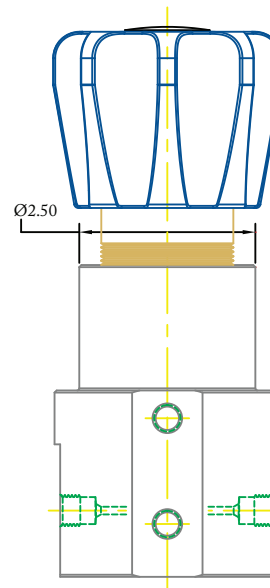
*Contact factory for material certifications. Fees may apply.*

PART NUMBER: 30-10215

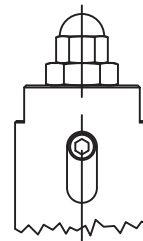
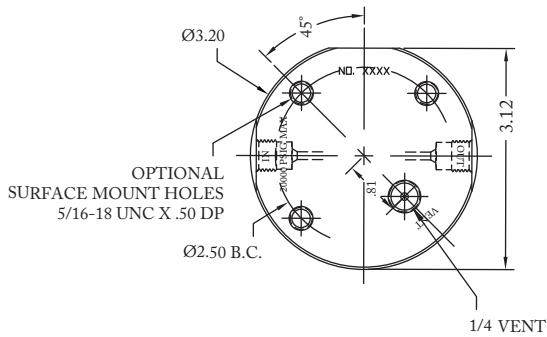
### PANEL NUT STYLE BODY



### MOUNTING BRACKET STYLE BODY



### TAMPER RESISTANT ACORN NUT (Optional)

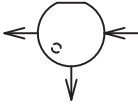
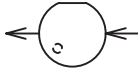


# 6025 SERIES

High Pressure, Hydraulic, 20000 PSIG  
Pressure Reducing Regulators

PART NUMBER	1	2	-	3	4	5	6	7	-	8	9	-	MODS
30-10215			-						-			-	

1 2	BODY STYLE
MB	Mounting bracket style body
PN	Panel nut style body (Panel nuts included)
3	OUTLET PRESSURE
7	950 - 10000 psig (65.50 - 689.48 bar)
8	1450 - 15000 psig (99.97-1034.21 bar)
9	2000 - 20000 psig (137.90-1378.95 bar)
4	FLOW (Cv)
0	Cv: 0.06
1	Cv: 0.12
2	Cv: 0.20
9	Cv: 0.04 (VPL MOD ONLY)

5	PORTING CONFIGURATION
B	
S	
6	PORT SIZE
4	1/4"
6	3/8"
<i>VENT PORT: 1/4" inlet/outlet port type</i> <i>GAUGE PORT: 1/4" inlet/outlet port type</i>	
7	PORT TYPE (IN/OUT/VENT)
4	Medium pressure
5	High pressure

8 9	O-RING MATERIAL
00	BUNA-N
01	AFLAS®
02	VITON®
05	EPDM
11	FFKM (Contact Premier for pricing)
MODIFICATIONS	
BLANK	NONE
AC	KRYTOX® 240AC
ANT	ACORN NUT
BA	BRONZE SPRING ACTUATOR
MK	H2O SERVICE W/ RESISTANT GREASE
SM	SURFACE MOUNT
VPL	VEPEL SCP-5000® (Cv 0.04 option required)

Vespe® and Viton® are registered trademarks of E.I. duPont de Nemours and Company

AFLAS® is a registered trademark of the Asahi Glass Co., Ltd.

Krytox® is a registered trademark of Chemours Company FC, LLC.

**20000 PSIG MAX INLET (SS)**  
**6000 PSIG MAX INLET (brass)**  
The end user is responsible to ensure adequate fittings are used to connect regulator to plumbing.

Contact factory for material certifications. Fees may apply.