

6500AL SERIES

Air Loaded, High Pressure, Hydraulic
Pressure Reducing Regulators



Premier 6500AL Series air loaded, pressure reducing regulators are your affordable and compact solution for high pressure, hydraulic applications. These rugged, piston sensed regulators are rated for 6000 PSIG (413.69 bar) and Cv: 0.06 or 0.2. With a maximum loading pressure of 1000 PSIG, and three available load ratios, 2:1, 3:1, and 4:1, a vast range of outlet pressures can be controlled (*maximum outlet pressure of 4000 PSIG / 275.79 bar with a 4:1 ratio*). Premier 6500AL regulators feature captured venting to safely pipe away expelled media. With a variety of construction material options, load ratios, porting configurations, and mounting options, you can be confident the Premier 6500AL Series air loaded, pressure reducing regulator will integrate seamlessly into your hydraulic application.

FEATURES

- Compatible with electro-pneumatic controllers & manual pilot regulators
- Piston Sensed
- Captured venting
- Compact design
- Machined bar stock body and piston eliminates porosity found in castings
- Bottom mount (*standard*)
- Optional panel mounting
- Two or four port designs available

SOME APPLICATIONS WILL REQUIRE A CUSTOM SOLUTION.
CONTACT PREMIER INDUSTRIES TO REQUEST A MODIFICATION
OR A CUSTOM DESIGN.

SPECIFICATIONS

- **MAXIMUM INLET PRESSURE:**
 - 6000 PSIG (413.69 bar)
- **MAXIMUM LOADING PRESSURE:**
 - 1000 PSIG (68.95 bar)
- **OUTLET:LOADER PRESSURE RATIO:**
 - 2:1, 2000 PSIG MAX (137.9 bar)
 - 3:1, 3000 PSIG MAX (206.84 bar)
 - 4:1, 4000 PSIG MAX (275.79 bar)
- **Cv:** 0.06 or 0.2
- **LEAK RATE:** Bubble tight N₂

MATERIALS OF CONSTRUCTION

- **BODY & BONNET:**
 - 6061-T6 Aluminum, Clear Anodized (standard)
 - 316 Stainless Steel
- **PISTON & HOUSING:**
 - 303 stainless steel (aluminum body)
 - 316 Stainless steel (316 stainless body)
- **MAIN VALVE COMPONENTS:**
 - 300 Series Stainless Steel (aluminum body)
 - 316 Stainless steel (316 stainless steel body)
- **MAIN VALVE SEAT:**
 - PEEK®
 - Vespel®
- **O-RING SEALS:**
 - Nitrile
 - Viton®
 - EPDM
 - Neoprene
- **PANEL MOUNTING NUTS (OPTIONAL):**
 - 6061-T6 Aluminum, Nickel Plated
- **STANDARD LUBRICANT:**
 - Krytox® GPL 206

PORTING

- **STANDARD INLETS:** 1/4" FNPT
- **STANDARD OUTLETS:** 1/4" FNPT
- **DOME PORT:** 1/4" FNPT
- **VENT PORT:** 1/4" FNPT
- **GAUGE PORTS:** 1/8" FNPT

OPTIONS

- Gauges
- Private label
- Panel mounting nuts (X2 required) (Order Separately: P/N 50-11803)
- For custom materials of construction (monel®, hastelloy® etc.) please contact factory.

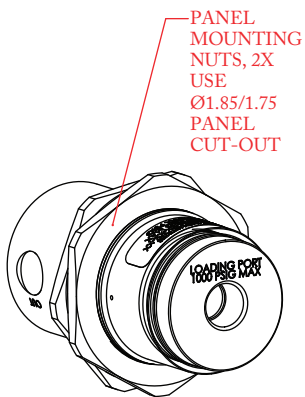
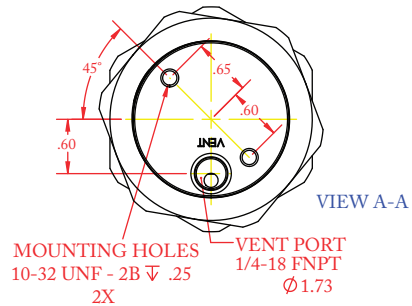
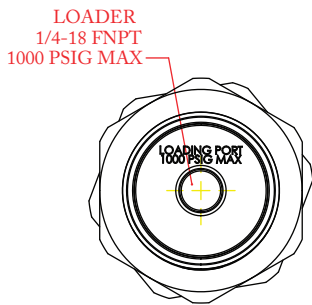
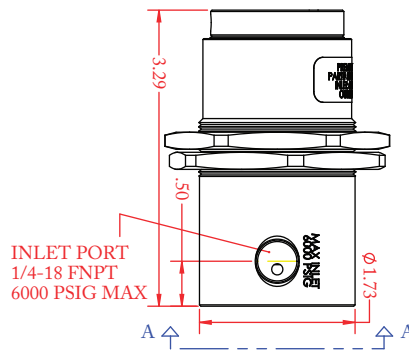
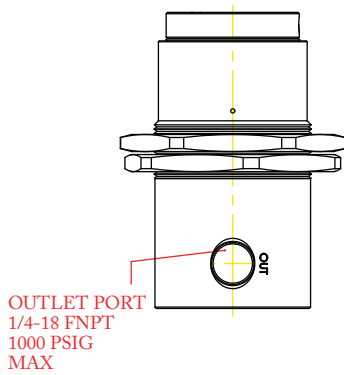
PEEK® is a registered trademark of Victrex PLC. Monel is a registered trademark of Special Metals Corporation. Vespel® and Viton® are registered trademarks of E.I. duPont de Nemours and Company. Hastelloy® is a registered trademark of Haynes International, Inc. Krytox® is a registered trademark of The Chemours Company FC, LLC.

Contact factory for material certifications. Fees may apply.

6500AL SERIES

Air Loaded, High Pressure, Hydraulic
Pressure Reducing Regulators

PART NUMBER: 50-12370



6500AL SERIES

Air Loaded, High Pressure, Hydraulic
Pressure Reducing Regulators

PART #	-	1	2	-	3	4	5	-	6	7	-	MODS
50-12370	-			-				-			-	

1	BODY & BONNET MATERIAL / FINISH
1	6061-T6 Aluminum <i>Clear Anodize</i>
3	316 Stainless Steel <i>Clean per spec #515</i>
2	PORTING
1	2 port
2	4 port
3	O-RING MATERIAL
1	Nitrile
2	Viton®
3	EPDM
4	Neoprene

4	SEAT MATERIAL
4	PEEK®
5	Vespel®
5	Cv (FLOW)
1	0.06
2	0.2
6	GAUGES
1	None
2	Include gauges <i>(4 port only)</i>

7	OUTLET:LOADER RATIO
2	2:1 (2000 psig / 137.9 bar <i>max outlet</i>)
3	3:1 (3000 psig / 206.84 bar <i>max outlet</i>)
4	4:1 (4000 psig / 275.79 bar <i>max outlet</i>)
MODIFICATIONS	
BLANK	None
AC	Krytox® 240AC
M	Use molykote 44 medium as lubricant

PEEK® is a registered trademark of Victrex PLC

Vespel® and Viton® are registered trademarks of E.I.duPont de Nemours & Company

For custom materials of construction (monel®, hastelloy® etc.) please contact factory.

Krytox® is a registered trademark of The Chemours Company FC, LLC.

Contact factory for material certifications.
Fees may apply.