

# 6500DL SERIES

Dome Loaded, High Pressure, Hydraulic  
Pressure Reducing Regulators



Premier 6500DL Series dome loaded, pressure reducing regulators are your affordable and compact solution for high pressure hydraulic applications. These rugged, piston sensed regulators are rated for 6000 PSIG (413.69 bar), feature a 1:1 loader with a maximum outlet pressure of 1000 PSIG (68.95 bar) and Cv: 0.06 or 0.2. Premier 6500DL regulators feature captured venting to safely pipe away expelled hydraulic media. With a variety of construction material options, porting configurations, and mounting options, you can be confident the Premier 6500DL Series dome loaded, pressure reducing regulator will integrate seamlessly into your hydraulic application.

## FEATURES

- Compatible with electro-pneumatic controllers
- Piston Sensed
- Captured venting
- Lightweight, compact design
- Machined bar stock body and piston eliminates porosity found in castings
- Bottom mount (*standard*)
- Optional threaded body & panel mounting nuts
- Two or four port designs available
- 1:1 loader with max outlet pressure of 1000 PSIG (68.95 bar)
- Minimal soft goods
- Cv: 0.06 or 0.2

**SOME APPLICATIONS WILL REQUIRE A CUSTOM SOLUTION.**  
CONTACT PREMIER INDUSTRIES TO REQUEST A MODIFICATION  
OR A CUSTOM DESIGN.

## SPECIFICATIONS

- **MAXIMUM INLET PRESSURE:**
  - 6000 PSIG (413.69 bar)
- **OUTLET PRESSURE:**
  - 1000 PSIG (68.95 bar)
- **MAX DOME LOAD:** 1000 PSIG (68.95 bar)
- **LOAD RATIO:** 1:1\*\*

\*\* **Cv 0.06:** an additional 10-50 psi (0.69- 3.45 bar) dome load is required to maintain a 1:1 outlet pressure to dome load ratio.

**Cv 0.2:** an additional 10-70 psi (0.69- 3.45 bar) dome load is required to maintain a 1:1 outlet pressure to dome load ratio.

- **Cv:** 0.06 or 0.2
- **LEAK RATE:** Bubble tight N<sub>2</sub>

## MATERIALS OF CONSTRUCTION

- **BODY & BONNET:**
  - 6061-T6 Aluminum, Clear Anodized (standard)
  - 316 Stainless Steel
- **PISTON & HOUSING:**
  - 303 stainless steel (Aluminum body)
  - 316 Stainless steel (316 stainless body)
- **MAIN VALVE COMPONENTS:**
  - 300 Series Stainless Steel (Aluminum body)
  - 316 Stainless steel (316 stainless steel body)
- **MAIN VALVE SEAT:**
  - PEEK®
  - Vespel®
- **O-RING SEALS:**
  - Nitrile
  - Viton®
  - EPDM
  - Neoprene
- **PANEL MOUNTING NUTS (OPTIONAL):**
  - 6061-T6 Aluminum, Nickel Plated
- **STANDARD LUBRICANT:**
  - Krytox® GPL 206

## PORTING

- **STANDARD INLETS:** 1/4" FNPT
- **STANDARD OUTLETS:** 1/4" FNPT
- **DOMES PORT:** 1/4" FNPT
- **VENT PORT:** 1/4" FNPT
- **GAUGE PORTS:** 1/8" FNPT

## OPTIONS

- Gauges
- Private label
- Panel mounting nuts (X2 required) (Order Separately: P/N 50-11803)
- For custom materials of construction (monel®, hastelloy® etc.) please contact factory.

PEEK is a registered trademark of Victrex PLC.

Monel is a registered trademark of Special Metals Corporation

Vespel and Viton are registered trademarks of E.I. duPont De Nemours and Company

Hastelloy is a registered trademark of Hayes International, Inc.

Krytox® is a registered trademark of The Chemours Company FC, LLC.

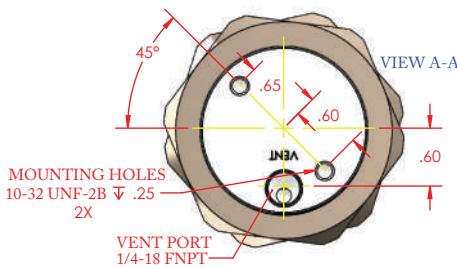
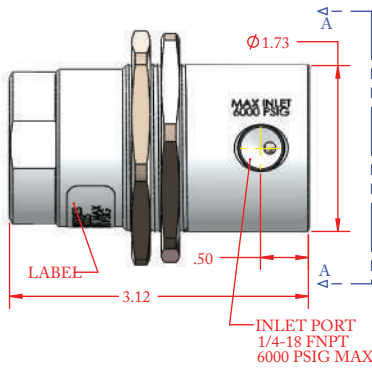
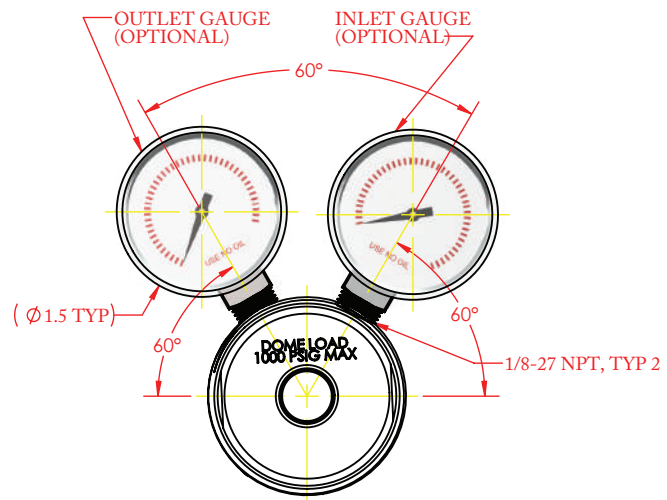
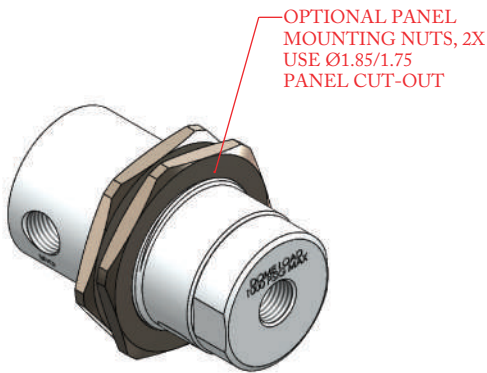
Contact factory for material certifications. Fees may apply.

# 6500DL SERIES

Dome Loaded, High Pressure, Hydraulic Pressure Reducing Regulators

PART NUMBER: 50-12225-11XX1

PART NUMBER: 50-12225-12XX2



# 6500DL SERIES

Dome Loaded, High Pressure, Hydraulic  
Pressure Reducing Regulators

PART #	-	1	2	-	3	4	-	5	6	-	MODS
50-12225	-			-			-			-	

1	BODY & BONNET MATERIAL / FINISH
1	6061-T6 Aluminum <i>Clear Anodize</i>
3	316 Stainless Steel <i>Clean per spec #515</i>
2	PORTING
1	2 port
2	4 port
3	O-RING MATERIAL
1	Nitrile
2	Viton®
3	EPDM
4	Neoprene

4	SEAT MATERIAL
4	PEEK®
5	Vespel®
5	Cv RATING
1	0.06
2	0.2
6	GAUGES
1	None
2	Include gauges <i>(4 port only)</i>

MODIFICATIONS	
BLANK	NONE
AC	Krytox 240AC®

*PEEK is a registered trademark of Victrex PLC  
Vespel and Viton are registered trademarks of E.I. duPont De Nemours and Company  
For custom materials of construction (monel®, hastelloy® etc.) please contact factory.  
Krytox® is a registered trademark of The Chemours Company FC, LLC.*

*Contact factory for material certifications. Fees may apply.*