

6500 SERIES

Miniature, High Pressure, Hydraulic
Pressure Reducing Regulators



Premier 6500 Series pressure reducing regulators are your affordable and compact solution for high pressure hydraulic applications. These rugged, piston sensed regulators are designed to control inlet pressures up to 6000 PSIG (413.69 bar). They feature a wide range of field adjustable delivery pressure ranges up to 6000 PSIG (413.69 bar), and Cv: 0.06 or 0.2. With a variety of construction material options, porting configurations, hand-knob styles, and mounting options, you can be confident the Premier 6500 Series pressure reducing regulator will integrate seamlessly into your hydraulic application.

FEATURES

- Piston Sensed
- Main valve cartridge
- 3 knob styles: basic, fluted, and tee handle
- Machined bar stock body and piston eliminates porosity found in castings
- Rear mounting holes and threaded bonnet standard, optional panel mounting nuts available
- Lightweight aluminum clear anodized body standard
- Two, three, or four ¼" NPTF ports standard
- Non-venting
- Field adjustable outlet pressure ranges
- Minimal soft goods
- Compact and economically priced
- Optional tamper resistant acorn nut

SOME APPLICATIONS WILL REQUIRE A CUSTOM SOLUTION.
CONTACT PREMIER INDUSTRIES TO REQUEST A MODIFICATION
OR A CUSTOM DESIGN.

SPECIFICATIONS

- **MAXIMUM INLET PRESSURE:**
 - 6000 PSIG (413.69 bar)
- **CONTROL PRESSURE RANGES:**
 - 0-80 PSIG (0-5.52 bar)
 - 0-140 PSIG (0-9.65 bar)
 - 0-220 PSIG (0-15.17 bar)
 - 5-700 PSIG (0.34-48.26 bar)
 - 5-1200 PSIG (0.34-82.74 bar)
 - 5-1800 PSIG (0.34-124.11 bar)
 - 5-2500 PSIG (0.34 - 172.37 bar)
 - 10-6000 PSIG (0.69-413.69 bar)
- **Cv:** 0.06 or 0.2
- **DESIGN PROOF PRESSURE:**
 - 150% maximum rated
- **LEAK RATE:** Bubble tight N₂

MATERIALS OF CONSTRUCTION

- **BODY:**
 - 6061-T6 Aluminum, Clear Anodized (standard)
 - 316 Stainless Steel
 - SAE 360 Brass/Nickel Plated*
**Contact factory for pricing*
 - Monel®
- **WETTED PARTS:**
 - 316 Stainless Steel
(with 316 stainless steel body option)
 - 300 Series Stainless Steel /
17-4 Stainless Steel
(with all other body options)
- **SEALS:**
 - Low-temperature nitrile (standard)
 - Nitrile
 - Viton®
 - EPDM
 - Neoprene
- **VALVE SEAT:**
 - PEEK® (standard)
 - Vespel®
- **STANDARD LUBRICATION:**
 - Krytox® GPL 206

PORTING

- **STANDARD INLETS:** 1/4" FNPT
- **STANDARD OUTLETS:** 1/4" FNPT
- **PORT OPTIONS:**
 - Two, three, or four port versions available

OPTIONAL ITEMS

- Gauges (plug): *stainless steel for both stainless body options, chrome plated brass for all other options*
- Basic handknob, fluted handknob, tee handle, or acorn nut
- Panel mounting nuts (*threaded bonnet and mounting holes standard*)
- CGA fittings
- Private label

PEEK® is a registered trademark of Victrex PLC
Vespel® and Viton® are registered trademarks of E.I. duPont de Nemours and Company
Monel® is a registered trademark of Special Metals Corporation.
Krytox® is a registered trademark of The Chemours Company FC, LLC.

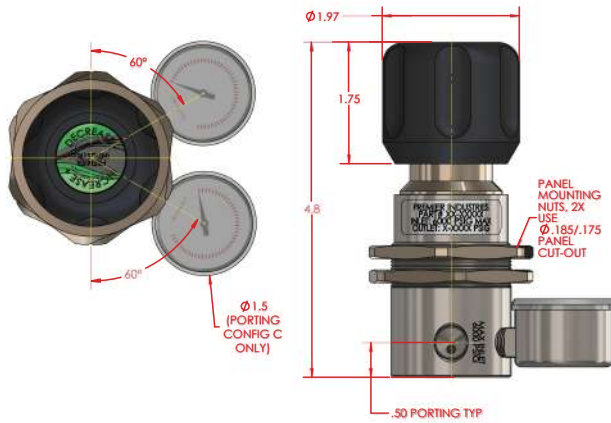
Contact factory for material certifications. Fees may apply.

6500 SERIES

Miniature, High Pressure, Hydraulic Pressure Reducing Regulators

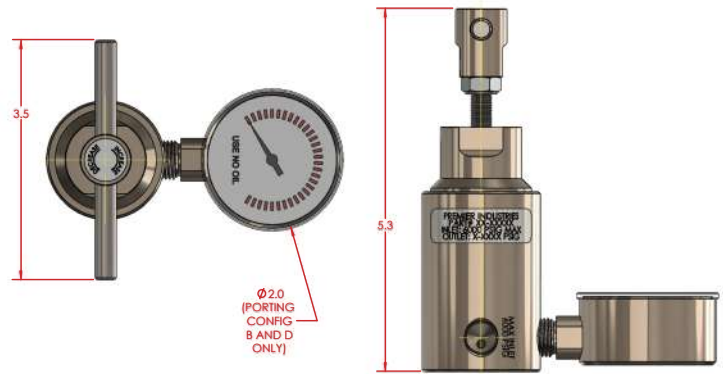
PART NUMBER: 50-12283-2CXXXX222

fluted knob



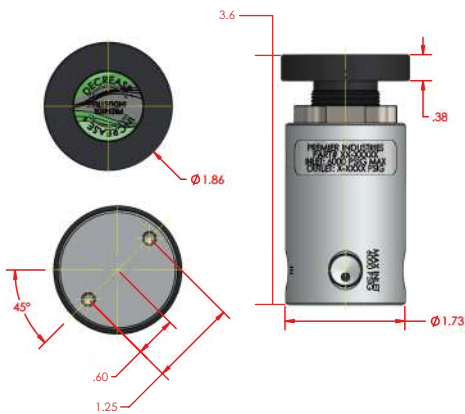
PART NUMBER: 50-12283-4DXXXX312

tee handle


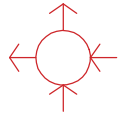
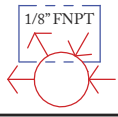
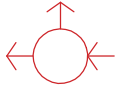


PART NUMBER: 50-12283-1BXXXX110

standard knob



PART #	-	1	2	-	3	4	-	5	6	-	7	8	9	-	MODS
50-12283	-			-			-			-				-	

1	BODY MATERIAL & FINISH
1	6061-T6 Aluminum <i>Clear Anodized</i>
3	316 Stainless Steel <i>Clean per spec #515</i>
4	SAE 360 Brass <i>Nickel Plated</i>
5	Monel 400®
2	PORTING CONFIGURATIONS
A	
B	
C*	
D	

3	OUTLET PRESSURE
1	0-80 PSIG <i>(0 - 5.52 bar)</i>
2	0-140 PSIG <i>(0 - 9.65 bar)</i>
3	0-220 PSIG <i>(0 - 15.17 bar)</i>
4	5-700 PSIG <i>(0.34 - 48.26 bar)</i>
5	5-1200 PSIG <i>(0.34 - 82.73 bar)</i>
6	5-1800 PSIG <i>(0.34 - 124.12 bar)</i>
7	5-2500 PSIG <i>(0.34 - 172.37 bar)</i>
8	10-6000 PSIG <i>(0.69 - 413.69 bar)</i>
4	MAIN VALVE (Cv)
1	0.06 max
2	0.20 max
5	O-RING SEAL MATERIAL
1	Nitrile
2	Low-temp nitrile
3	Viton®
4	EPDM
5	Neoprene

6	SEAT MATERIAL
4	PEEK®
5	Vespel®
7	HAND KNOB
1	Basic knob
2	Fluted knob
3	Tee handle
4	None **locked / tamper resistant
8	MOUNTING <i>(threaded bonnet standard)</i>
1	Mounting holes
2	Panel mounting nuts & mounting holes
9	GAUGES
0	None
2	Include gauges <i>(port config. "A" not available with gauges)</i>
MODIFICATIONS	
BLANK	NONE
AC	KRYTOX 240AC

*** ALL PORTS ARE 1/4" FNPT UNLESS OTHERWISE INDICATED ON THE PORTING CONFIGURATIONS.**

****TAMPER RESISTANT ACORN NUT**
THE END USER IS RESPONSIBLE TO SPECIFY A PRESET OUTLET PRESSURE. IF AN OUTLET PRESSURE IS NOT SPECIFIED, THE PRESSURE WILL BE LEFT UNSET. NEVER EXCEED THE MAXIMUM OUTLET PRESSURE SPECIFIED ON THE PART NUMBER.

PEEK is a registered trademark of Victrex PLC
Vespel and Viton are registered trademarks of E.I. duPont de Nemours & Company. Monel® is a registered trademark of Special Metals Corporation.
Krytox® is a registered trademark of The Chemours Company FC, LLC.

Contact factory for material certifications. Fees may apply.