

2600 SERIES

Single Stage, Piston Sensed
Pressure Reducing Regulators



The Premier 2600 Series pressure reducing regulators are single stage, piston sensed, general purpose cylinder and line regulators. Premier 2600 Series regulators feature a max inlet pressure of 3500 PSIG (*241.32 bar*), control pressures up to 2500 PSIG (*172.37 bar*), and Cv 0.08, or 0.20. Models are available for both corrosive and non-corrosive service featuring a 316 stainless steel piston/piston housing, and a variety of optional bonnet, body, & seal materials.

FEATURES

- Optional pressure relief valve
- Stainless steel piston/piston housing
- Pneumatic design with modification available for hydraulic service
- 3500 PSIG (*241.32 bar*) max inlet pressure
- Control pressure up to 2500 PSIG (*172.37 bar*)
- Cv 0.08, or 0.20
- Optional integral shut off valve
- Compact size
- Non-venting
- Machined bar stock body, bonnet, and piston eliminates porosity found in castings
- Economical pricing

SOME APPLICATIONS WILL REQUIRE A CUSTOM SOLUTION.
CONTACT PREMIER INDUSTRIES TO REQUEST A MODIFICATION
OR A CUSTOM DESIGN.

SPECIFICATIONS

- **MAXIMUM INLET PRESSURE:**
 - 3500 PSIG (241.32 bar)
- **CONTROL PRESSURE RANGES:**
 - 0-200 PSIG (0 - 13.79 bar)
 - 0-250 PSIG (0 - 17.24 bar)
 - 0-500 PSIG (0 - 34.47 bar)
 - 0-1000 PSIG (0 - 68.95 bar)
 - 0-1500 PSIG (0 - 103.42 bar)
 - 0-2000 PSIG (0 - 137.9 bar)
 - 0-2500 PSIG (0 - 172.37 bar)
- **FLOW (Cv):** 0.08, 0.20
(0.30 available, see part # 50-11853)

MATERIALS OF CONSTRUCTION

- **BODY OPTIONS:**
 - 316 Stainless Steel
 - 303 Stainless Steel
 - SAE 360 Brass/Nickel Plated*
**Contact factory for pricing*
 - SAE 360 Brass
 - 6061-T6 Aluminum/Clear Anodized
- **PISTON/PISTON HOUSING:**
 - 316 Stainless Steel
- **MAIN VALVE CARTRIDGE SEAL:**
 - PTFE
- **O-RING OPTIONS:**
 - Viton-A®
 - Buna-N
 - Neoprene
 - EPDM
 - FFKM
- **VALVE SEAT:** PCTFE
- **GAUGE OPTIONS:** (OPTIONAL)
 - 316 Stainless Steel
 - SAE 360 Brass/Nickel Plated

PORTING

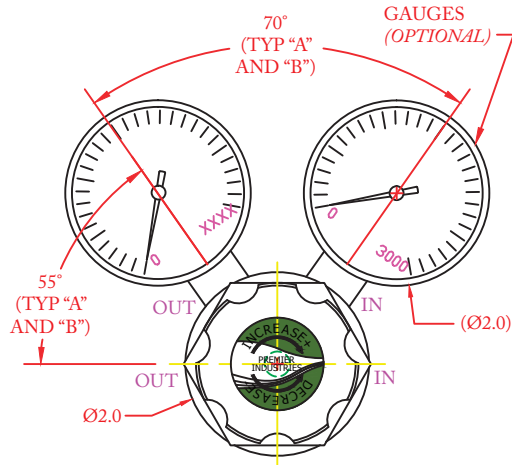
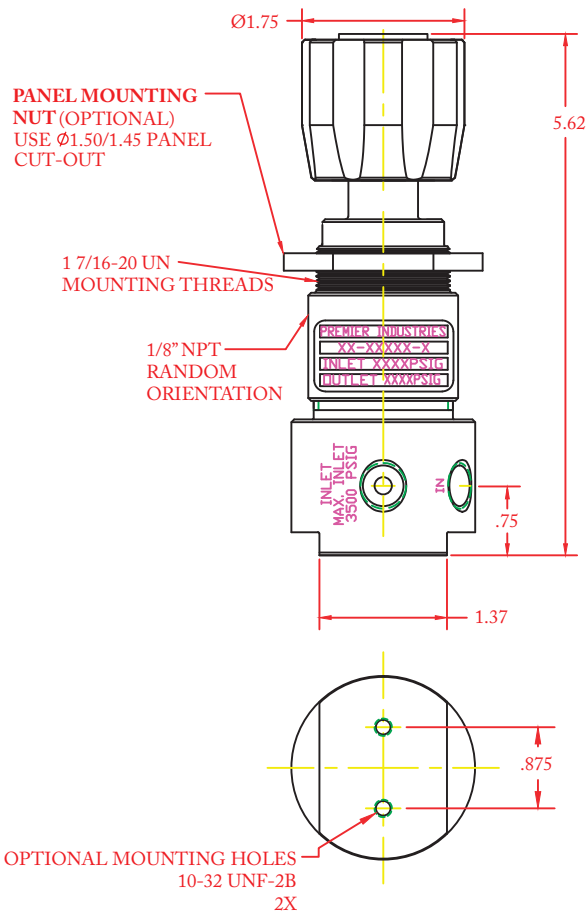
- **INLET OPTIONS:**
 - 1/4-18 NPT (STANDARD)
 - 1/4 SAE AS5202
- **OUTLET OPTIONS:**
 - 1/4-18 NPT (STANDARD)
 - 1/4 SAE AS5202

OPTIONS

- Panel mounting nut (6061-T6 Aluminum/Anodized)
- Modification for hydraulic service
- Relief valve
- Private label
- Purge block
- Cv 0.30 (Part Number: 50-11853)
- Venting (See 2660 Series)

Viton-A® is a registered trademark of E.I. duPont de Nemours and Company

PART NUMBER 50-11628



2600 SERIES

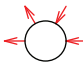
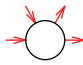

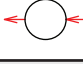
Single Stage, Piston Sensed
Pressure Reducing Regulators

PART #	-	1	2	3	4	5	6	7	8	-	MODS
50-11628	-									-	

PNEUMATIC (STANDARD)
(SEE MODS FOR HYDRAULIC SERVICE)

1	BODY MATERIAL & FINISH
1	316 STAINLESS STEEL, CLEANED PER SPEC #515
2	303 STAINLESS STEEL, CLEANED PER SPEC #515
3	SAE 360 BRASS, NICKEL PLATED <i>CONTACT FACTORY FOR PRICING</i>
4	SAE 360 BRASS
5	6061-T6 ALUMINUM, CLEAR ANODIZED
2	O-RING SEALS
1	VITON-A®
2	BUNA-N
3	NEOPRENE
4	EPDM
5	FFKM

3	OUTLET PRESSURE (OUTLET GAUGE RANGE IF SUPPLIED)
1	0-1000 PSIG / 0-68.9 BAR (0-3000 PSIG GAUGE)
2	0-1500 PSIG / 0-103.4 BAR (0-3000 PSIG GAUGE)
3	0-2000 PSIG / 0-137.9 BAR (0-3000 PSIG GAUGE)
4	0-2500 PSIG / 0-172.4 BAR (0-3000 PSIG GAUGE)
5	0-200 PSIG / 0-13.8 BAR (0-400 PSIG GAUGE)
6	0-250 PSIG / 0-17.24 BAR (0-400 PSIG GAUGE)
7	0-500 PSIG / 0-34.47 BAR (0-1000 PSIG GAUGE)
4	MAIN VALVE Cv
1	Cv 0.08
2	Cv 0.2
5	GAUGES (OPTIONAL)
0	NO GAUGES
1	2" DIAMETER INLET & OUTLET GAUGES

6	PANEL MOUNTING NUT (OPTIONAL)
0	NO NUT
1	MOUNTING NUT
7	PORTING CONFIGURATIONS (ALL PORTS 1/4" FNPT UNLESS MARKED)
A	
B	
S	
Z	 1/4" SAE AS5202 INLET/OUTLET PORTS
8	MOUNTING HOLES (OPTIONAL)
0	NONE
1	10-32 UNF-2B (2X)
MODIFICATIONS	
BLANK	NONE
1	HYDRAULIC SERVICE

*Viton-A® is a registered trademark of
E.I. duPont de Nemours and Company*

*Contact factory for material certifications.
Fees may apply.*