

3025HPL SERIES

High Pressure Loader, Piston Sensed
Pressure Reducing Regulators



Premier 3025HPL Series regulators are high pressure loaded, piston sensed, single stage, pressure reducing regulators, rated for inlet pressures up to 20000 psig (*1378.95 bar*), loading pressure up to 1500 psig (*103.42 bar*) and Cv 0.04 (*in full open condition*). Available with outlet:loader ratios of 5:1, and 13:1. Captured venting standard. With over 4 times the sensing area of the 3025 Series regulator, the 3025HPL Series allows precise control in applications where high pressure loading supplies are available.

FEATURES

- Rated for inlet pressures up to 20000 PSIG (*1378.95 bar*)
- Max loading pressure: 1500 psig (*103.42 bar*)
- Load ratios: 5:1, 13:1 (*outlet:loader ratio*)
- Flow capacity (Cv): 0.04 (*in full open condition*)
- Captured venting
- Machined bar stock body, bonnet and piston eliminates porosity found in castings

SOME APPLICATIONS WILL REQUIRE A CUSTOM SOLUTION.
CONTACT PREMIER INDUSTRIES TO REQUEST A MODIFICATION
OR A CUSTOM DESIGN.

3025HPL SERIES

High Pressure Loader, Piston Sensed
Pressure Reducing Regulators

P/N: 30-10614

SPECIFICATIONS

- **MAXIMUM INLET PRESSURE:**
 - 20000 PSIG (1378.95 bar)
 - **MAXIMUM LOADING PRESSURE:**
 - 1500 PSIG (103.42 bar)
 - **OUTLET:LOADER RATIO:**
 - 5:1 (~6000:1200 PSI, ~7500:1500 PSIG)
 - 13:1 (~15000:1200 PSI, ~19000:1500 PSIG)
 - **FLOW (Cv):** 0.04 (in full open condition)
 - **VENT VALVE (Cv):** 0.04 (in full open condition)
 - **TEMPERATURE RATING (BY O-RING MATERIAL):**
 - -15°F/-26°C to 165°F/74°C (BUNA-N)
 - -4°F/-20°C to 165°F/74°C (VITON®)
 - -65°F/-54°C to 165°F/74°C (EPDM)
- **lower temperature compounds available upon request*

MATERIALS OF CONSTRUCTION

PROCESS WETTED MATERIALS:

- **BODY AND SENSOR COMPONENTS:**
 - 17-4 Stainless Steel
- **MAIN VALVE:**
 - 316 Stainless Steel and 17-4 Stainless Steel
- **MAIN VALVE/VENT SEAT:**
 - Vespel® (standard)
 - 316 stainless steel
- **O-RINGS:**
 - BUNA-N
 - Viton-A®
 - EPDM

LOADER WETTED MATERIALS:

- **CAP AND LOADER COMPONENTS (WETTED):**
 - 17-4 Stainless Steel

NON-WETTED MATERIALS:

- **COUPLER:**
 - 17-4 Stainless Steel
- **BEARING BALL AND LOAD BEARING DISC:** High strength tool steel
- **WAVE SPRING:** 17-4 Stainless steel

PORTING

- **PROCESS PORTS**
 - 1/4" medium pressure
 - 1/4" high pressure
- **LOAD/VENT PORTS**
 - AS5202 SIZE-04

OPTIONAL ITEMS

- Private label

P/N: 30-10670 (EXTREME COMPATIBILITY)

SPECIFICATIONS

- **MAXIMUM INLET PRESSURE:**
 - 20000 PSIG (1378.95 bar)
- **MAXIMUM LOADING PRESSURE:**
 - 1500 PSIG (103.42 bar)
- **OUTLET:LOADER RATIO:**
 - 5:1 (~6000:1200 PSI, ~7500:1500 PSIG)
- **FLOW (Cv):** 0.04 (in full open condition)
- **VENT VALVE (Cv):** 0.04 (in full open condition)

MATERIALS OF CONSTRUCTION

PROCESS WETTED MATERIALS:

- **BODY AND SENSOR COMPONENTS:**
 - 17-4 Stainless Steel/Passivated
- **MAIN VALVE:**
 - 316 Stainless Steel/passivated and 17-4 Stainless Steel/passivated
- **MAIN VALVE/VENT SEAT:**
 - 316 stainless steel/Passivated
- **SEALS:**
 - TFM and Hastelloy® C-276
- **BACKUP RING:** PFA

VENT SIDE WETTED MATERIALS:

- **COMPONENTS (WETTED):**
 - 17-4 Stainless Steel
- **SEALS:**
 - TFM and Hastelloy® C-276, FFKM (static seal)

LOADER SIDE WETTED MATERIALS:

- **COMPONENTS (WETTED):** 17-4 Stainless Steel
- **SEALS:**
 - FFKM
- **WEAR RINGS:**
 - 23% Carbon, 2% graphite-filled PTFE

NON-WETTED MATERIALS:

- **COMPONENTS:**
 - 17-7 Stainless Steel, 440C stainless steel, 17-4 stainless steel

LUBRICATION (WETTED AND NON-WETTED REGIONS): Krytox 240AC

PORTING

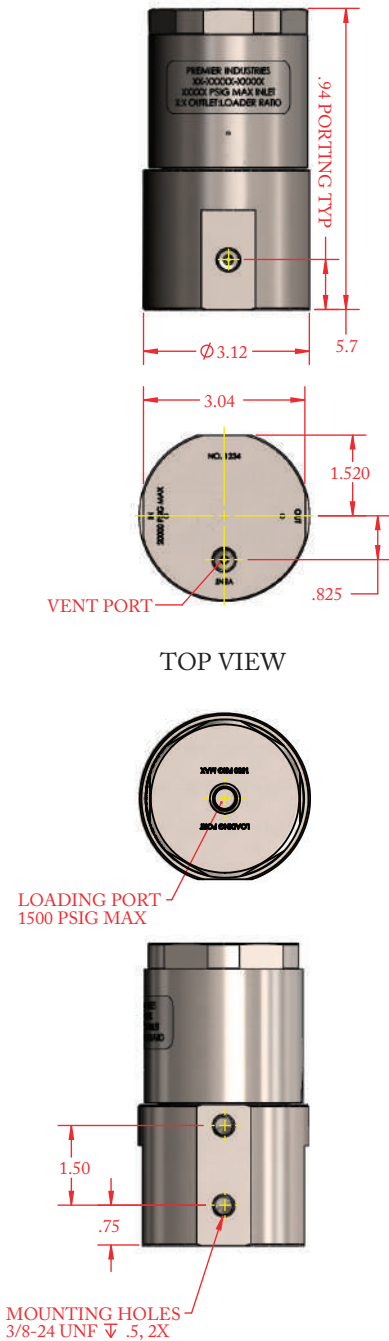
- **PROCESS PORTS**
 - 1/4" Medium pressure
- **LOAD/VENT PORTS**
 - AS5202 SIZE-04

OPTIONAL ITEMS

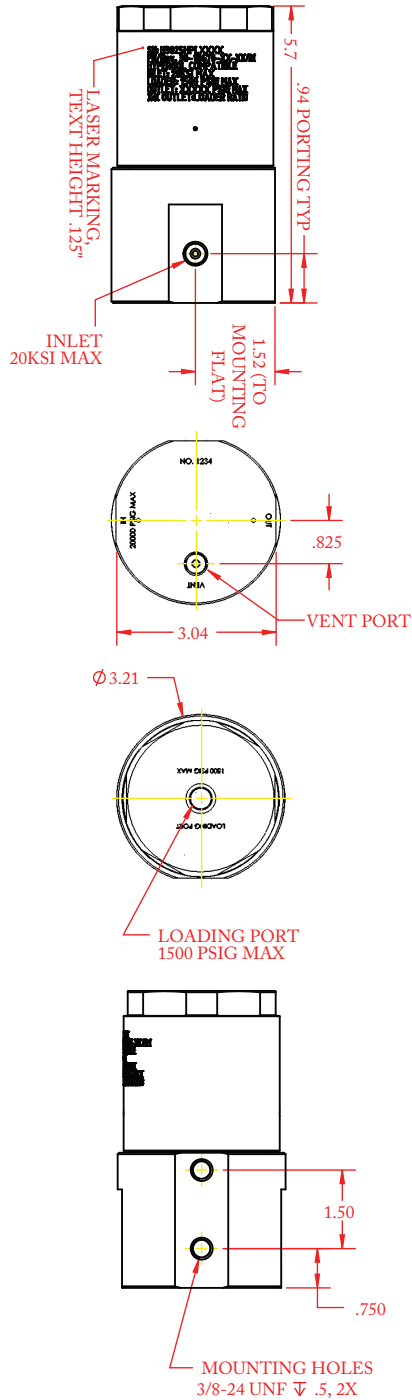
- Private label

*Vespel®, & Viton-A® are registered trademarks of E.I.duPont de Nemours and Company.
HASTELLOY® is a registered trade name of Haynes International, Inc.*

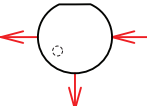
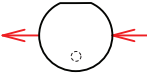
PART NUMBER: 30-10614



PART NUMBER: 30-10670



PART #	-	1	2	-	3	4	-	5	6	-	MODS
30-10614	-			-			-			-	

1	OUTLET:LOADER RATIO
1	5:1 (~6000:1200 PSI, ~7500:1500 PSIG)
2	13:1 (~15000:1200 PSI, ~19000:1500 PSIG)
2	PORTING CONFIGURATION
B	
S	
3	PROCESS PORTS
1	MEDIUM PRESSURE, 1/4"
2	HIGH PRESSURE, 1/4"
4	LOAD/VENT PORTS
1	AS5202 SIZE-04 / AS5202 SIZE-04

5	O-RING MATERIAL
1	BUNA-N
2	VITON-A®
3	EPDM
6	PROCESS WETTED LUBRICANT
1	KRYTOX GPL206
2	KRYTOX 240AC
3	KRYTOX 240AZ
MODIFICATIONS	
BLANK	NONE
1	316 STAINLESS STEEL VENT SEAT
2	316 STAINLESS STEEL MAIN VALVE SEAT

20000 PSIG MAX INLET

The end user is responsible to ensure properly rated equipment, plumbing, and fittings are used

Viton® is a registered trademark of E.I.duPont de Nemours and Company

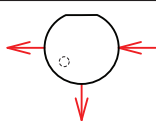
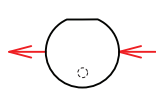
Contact factory for material certifications. Fees may apply.

3025HPL SERIES

High Pressure Loader, Piston Sensed
Pressure Reducing Regulators

PART #	-	1	2	-	3	4
30-10670	-			-		

EXTREME COMPATIBILITY

1	OUTLET:LOADER RATIO
1	5:1 (~6000:1200 PSI, ~7500:1500 PSIG)
2	PORTING CONFIGURATION
B	
S	
3	PROCESS PORTS
1	Medium pressure, 1/4"
4	LOAD/VENT PORTS
1	AS5202 SIZE-04

20000 PSIG MAX INLET

The end user is responsible to ensure properly rated equipment, plumbing, and fittings are used

Viton® is a registered trademark of E.I.duPont de Nemours and Company

Contact factory for material certifications. Fees may apply.