

3125AL SERIES

High Pressure, 20K, Air Loaded, Pneumatic
Back Pressure Regulator



Premier 3125AL Series high pressure, back pressure regulators are single stage, piston sensed regulators rated for inlet and control pressures up to 20000 PSIG (*1378.95 bar*), and Cv 0.03, 0.06, 0.12, or 0.20.

FEATURES

- Rated for pressures up to 20000 PSIG (*1378.95 bar*)
- Flow capacity (Cv): 0.03, 0.06, 0.12, or 0.20
- Compatible with electro-pneumatic controllers
- Machined bar stock body, bonnet and piston eliminates porosity found in castings

SOME APPLICATIONS WILL REQUIRE A CUSTOM SOLUTION.
CONTACT PREMIER INDUSTRIES TO REQUEST A MODIFICATION
OR A CUSTOM DESIGN.

3125AL SERIES

High Pressure, 20K, Air Loaded, Pneumatic
Back Pressure Regulator

SPECIFICATIONS

- **MAX INLET PRESSURE:**
 - 20000 PSIG (1378.95 bar)
- **CONTROL PRESSURE RANGE:**
 - 500-20000 PSIG (34.47 - 1378.95 bar)
- **FLOW (Cv):** 0.03, 0.06, 0.12, 0.20
- **OPERATING TEMPERATURE BY O-RING MATERIAL:**
 - BUNA-N: -22°F TO 212°F
 - VITON: 5°F TO 392°F
 - EPDM: -49°F TO 266°F
 - POLYURETHANE: -65°F TO 212°F
 - KALREZ: 425°F MAX

MATERIALS OF CONSTRUCTION

- **BODY:**
 - 316 Stainless Steel,
- **WETTED PARTS, OTHER:**
 - 316 Stainless Steel
 - 17-4 Stainless Steel
- **O-RINGS:**
 - BUNA-N
 - Aflas®
 - Viton-A®
 - EPDM
 - Polyurethane
 - FFKM
- **BACK-UP RINGS:** PCTFE & PEEK®
- **MAIN VALVE SEAT:**
 - Vespel® SCP-5000
- **VENT VALVE SEAT:**
 - Vespel® SCP-5000
- **HOUSING, AIR ACTUATOR:**
 - 6061-T6 Aluminum, clear anodized
- **DIAPHRAGM, AIR ACTUATOR:**
 - Neoprene, nylon fabric-reinforced
- **STANDARD LUBRICANT:**
 - Krytox® GPL 206

PORTING

- **INLET/OUTLET/VENT PORTING:**
 - 1/4" Medium pressure, High Pressure*
 - 3/8" Medium pressure, High Pressure
 - 9/16" Medium pressure, High Pressure

**CV 0.20 NOT AVAILABLE WITH 1/4" HIGH PRESSURE PORTS*

OPTIONAL ITEMS

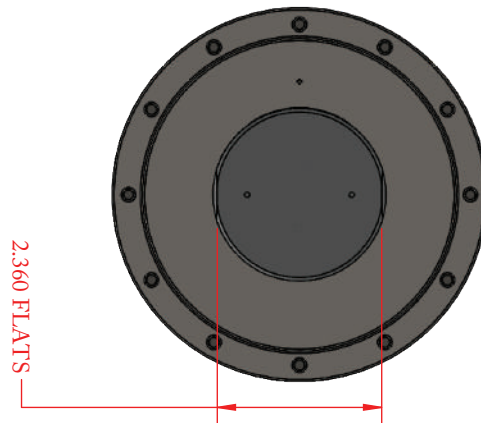
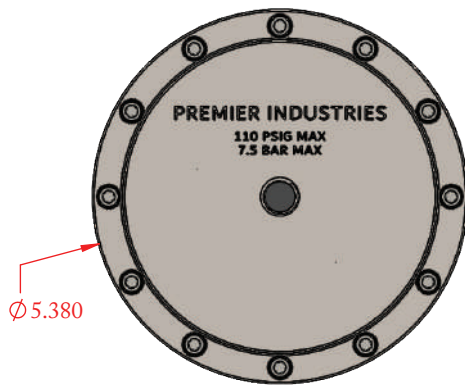
- Surface mount

*Vespel® and Viton® are registered trademarks of E.I. duPont de Nemours and Company
AFLAS® is a registered trademark of the Asahi Glass Co., Ltd.
PEEK® is a registered trademark of Victrex PLC
Krytox® is a registered trademark of The Chemours Company FC, LLC.*

3125AL SERIES

High Pressure, 20K, Air Loaded, Pneumatic
Back Pressure Regulator

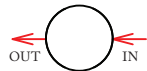
PART NUMBER: 30-11115



3125AL SERIES

High Pressure, 20K, Air Loaded, Pneumatic
Back Pressure Regulator

PART #	1	2	-	3	4	5	6	7	-	8	9	-	MODS
30-11115			-						-			-	

1 2	BODY STYLE
MB	MOUNTING BRACKET STYLE BODY
PN	PANEL NUT STYLE BODY <i>(PANEL NUTS INCLUDED)</i>
3	CONTROL PRESSURE
4	500-20000 PSIG <i>(34.47 - 1378.95 bar)</i>
4	FLOW (Cv)
A	Cv: 0.03
0	Cv: 0.06
1	Cv: 0.12
2	Cv: 0.20
5	PORTING CONFIGURATION
S	

6	PORT SIZE
4	1/4"
6	3/8"
9	9/16"
7	PORT TYPE <i>(IN/OUT/VENT)</i>
4	MEDIUM PRESSURE
5	HIGH PRESSURE*
<i>*0.20 CV NOT AVAILABLE WITH 1/4" HIGH PRESSURE PORTS</i>	

20000 PSIG MAX INLET
*The end user is responsible to ensure
adequate fittings are used to connect
regulator to plumbing.*

8 9	O-RING MATERIAL
00	BUNA-N
01	AFLAS®
02	VITON®
05	EPDM
08	POLYURETHANE
11	FFKM <i>(CONTACT PREMIER FOR PRICING)</i>
MODIFICATIONS	
BLANK	NONE
AC	KRYTOX 240AC
SM	SURFACE MOUNT

*Viton® is a registered trademark of
E.I. duPont de Nemours and Company*

*AFLAS® is a registered trademark of the
Asahi Glass Co., Ltd.*

*Krytox® is a registered trademark of The
Chemours Company FC, LLC.*

*Contact factory for material certifications.
Fees may apply.*