

3500 SERIES

Miniature, Pneumatic, High Pressure
Pressure Reducing Regulators



Premier 3500 Series pressure reducing regulators are your affordable and compact solution for high pressure pneumatic applications. These rugged, piston sensed regulators are rated for 6000 PSIG (*413.69 bar*) with a wide range of field adjustable delivery pressure ranges, up to 6000 PSIG (*413.69 bar*) and Cv: 0.06 or 0.2. With a variety of construction material options, porting configurations, hand-knob styles, and mounting options, you can be confident the Premier 3500 Series pressure reducing regulator will integrate seamlessly into your pneumatic application.

FEATURES

- Piston sensed
- Main valve cartridge with 15 micron, 316 stainless steel filter
- 3 knob styles, basic, fluted, and tee handle
- Machined bar stock body and piston eliminates porosity found in castings
- Rear mounting holes and threaded bonnet standard, optional panel mounting nuts available
- Two, three, or four ¼" NPT ports standard, 5 and 6 port options available
- Non-venting
- Field adjustable outlet pressure ranges
- Minimal soft goods
- Compact & economically priced
- Optional tamper proof acorn nut.

SOME APPLICATIONS WILL REQUIRE A CUSTOM SOLUTION.
CONTACT PREMIER INDUSTRIES TO REQUEST A MODIFICATION
OR A CUSTOM DESIGN.

SPECIFICATIONS

- **MAXIMUM INLET PRESSURE:**
 - 6000 PSIG (413.69 bar)
- **CONTROL PRESSURE RANGES:**
 - 0-25 PSIG (0 - 1.72 bar)
 - 0-80 PSIG (0 - 5.52 bar)
 - 0-140 PSIG (0 - 9.65 bar)
 - 0-220 PSIG (0 - 15.17 bar)
 - 5-700 PSIG (0.34 - 48.26 bar)
 - 5-1200 PSIG (0.34 - 82.73 bar)
 - 5-1800 PSIG (0.34 - 124.12 bar)
 - 5-2500 PSIG (0.34 - 172.37 bar)
 - 10-6000 PSIG (0.69 - 413.69 bar)
- **Cv:** 0.06 or 0.2
- **DESIGN PROOF PRESSURE:**
 - 150% maximum rated

MATERIALS OF CONSTRUCTION

- **BODY:**
 - 6061-T6 Aluminum, Clear Anodized
 - 316 Stainless Steel
 - SAE 360 Brass
 - Monel® 400
- **WETTED PARTS:**
 - 316 Stainless Steel, 316 stainless steel body option
 - 300 Series Stainless Steel /
17-4 Stainless Steel, all other body options
 - Monel®, Monel® body option
- **SEALS:**
 - Low-temperature nitrile (standard)
 - Nitrile
 - Viton®
 - EPDM
 - Neoprene
 - Polyurethane
- **VALVE SEAT:**
 - PEEK® (standard)
 - PCTFE
 - Vespel®
- **MAIN VALVE FILTER:**
 - 15 micron sintered 316 stainless steel
- **STANDARD LUBRICANT:**
 - Krytox® GPL 206

PORTING

- **STANDARD INLETS:** 1/4" FNPT
See page 4 for more porting details
- **STANDARD OUTLETS:** 1/4" FNPT
See page 4 for more porting details
- **PORT OPTIONS:**
 - Two, three, four, five, or six port versions available

OPTIONS

- Gauges (plug): *stainless steel for both stainless body options, no gauges for monel option/monel plug chrome plated brass for all other options*
- Basic hand knob, fluted hand knob, tee handle, or acorn nut
- Panel mounting nuts
(threaded bonnet and mounting holes standard)
- CGA fittings
- Private label
- Contact factory for custom materials of construction
(monel®, hastelloy® etc.)

PEEK is a registered trademark of Victrex PLC. Hastelloy is a registered trademark of Haynes International, Inc.

Monel® is a registered trademark of Special Metals Corporation

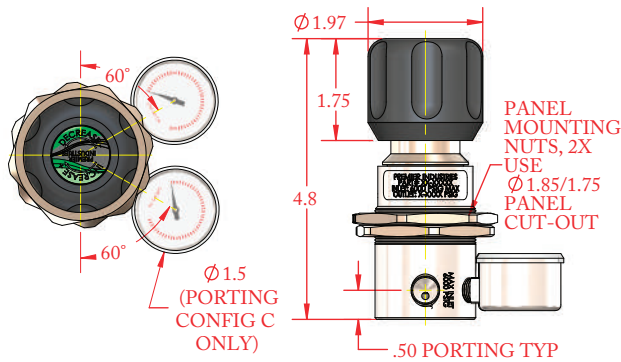
Vespel and Viton are registered trademarks of E.I. duPont de Nemours and Company

Krytox® is a registered trademark of e Chemours Company FC, LLC.

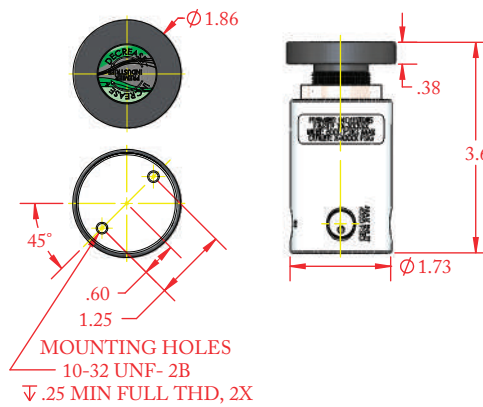
3500 SERIES

Miniature, Pneumatic, High Pressure
Pressure Reducing Regulators

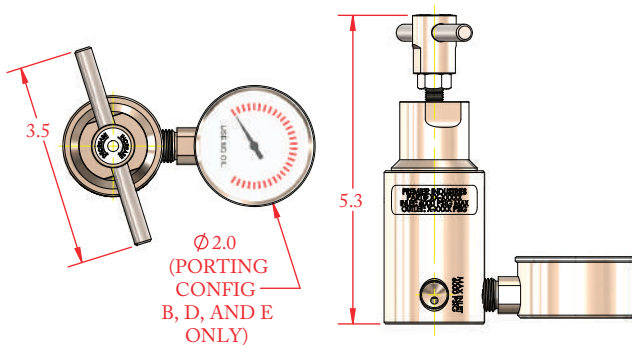
PART NUMBER: 50-12282-2CXXXX222
W/ FLUTED HAND KNOB








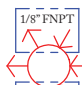
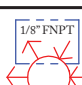
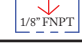
PART NUMBER: 50-12282-1BXXXX110
W/ BASIC HAND KNOB SHOWN BELOW



PART NUMBER: 50-12282-4DXXXX312
W/ T-HANDLE SHOWN BELOW



PART #	-	1	2	-	3	4	-	5	6	-	7	8	9	-	MODS
50-12282	-			-			-			-				-	

1	BODY MATERIAL & FINISH
1	6061-T6 ALUMINUM CLEAR ANODIZED
3	316 STAINLESS STEEL CLEAN PER SPEC #515
4	SAE 360 BRASS
5	MONEL® 400
2	PORTING CONFIGURATIONS
A	
B	
C*	
D	
E	
K	
I	
L	
<p><i>* ALL PORTS ARE 1/4" FNPT UNLESS OTHERWISE INDICATED ON THE PORTING CONFIGURATIONS.</i></p>	

3	OUTLET PRESSURE
0	0-25 PSIG (0 - 1.72 bar)
1	0-80 PSIG (0 - 5.52 bar)
2	0-140 PSIG (0 - 9.65 bar)
3	0-220 PSIG (0 - 15.17 bar)
4	5-700 PSIG (0.34 - 48.26 bar)
5	5-1200 PSIG (0.34 - 82.73 bar)
6	5-1800 PSIG (0.34 - 124.12 bar)
7	5-2500 PSIG (0.34 - 172.37 bar)
8	10-6000 PSIG (0.69 - 413.69 bar)
4	MAIN VALVE (Cv)
1	0.06 MAX
2	0.20 MAX
5	O-RING SEAL MATERIAL
1	NITRILE
2	LOW-TEMP NITRILE
3	VITON®
4	EPDM
5	NEOPRENE
6	POLYURETHANE
6	SEAT MATERIAL
1	PCTFE
2	PEEK®
3	VESPEL®

7	HAND KNOB
1	BASIC KNOB
2	FLUTED KNOB
3	TEE HANDLE
4	NONE ** LOCKED/TAMPER RESISTANT ACORN NUT
8	MOUNTING
1	MOUNTING HOLES (NO MOUNTING NUTS)
2	PANEL MOUNTING NUTS & MOUNTING HOLES
9	GAUGES
0	NONE
2	INCLUDE GAUGES (port config. "A" not available w/ gauges)
MODIFICATIONS	
BLANK	NONE
AC	KRYTOX 240AC
L	ORIENT GAUGES FOR LEFT SIDE PROCESS INLET (K PORTING ONLY)
XXX	SPECIFY XXX VALUE FOR PRE-SET PRESSURE SETTING (LOCKED/TAMPER RESISTANT KNOB CONFIG. ONLY.)

****TAMPER RESISTANT ACORN NUT**
THE END USER IS RESPONSIBLE TO SPECIFY A PRESET OUTLET PRESSURE. IF AN OUTLET PRESSURE IS NOT SPECIFIED, THE PRESSURE WILL BE LEFT UNSET. NEVER EXCEED THE MAXIMUM OUTLET PRESSURE SPECIFIED ON THE PART NUMBER.

PEEK is a registered trademark of Victrex PLC.
Vespel and Viton are registered trademarks of E.I. duPont de Nemours & Company. Monel® is a registered trademark of Special Metals Corporation

Contact factory for material certifications. Fees may apply.