

5050 SERIES

High Flow, Piston Sensed
Pressure Reducing Regulators



Premier 5050 Series, single stage, high flow, piston sensed, pressure reducing regulators, designed for inlet pressures up to 1000 PSIG (68.95 bar) and Cv 5.0.

FEATURES

- Flow capacity (Cv): 5.0
- 1000 PSIG (68.95 bar) max inlet pressure
- Balanced stem for increased outlet pressure stability
- Optional preset outlet pressures
- Economical pricing
- Non-venting and self-venting models available
- Compact size
- Machined bar stock body eliminates porosity found in castings

SOME APPLICATIONS WILL REQUIRE A CUSTOM SOLUTION.
CONTACT PREMIER INDUSTRIES TO REQUEST A MODIFICATION
OR A CUSTOM DESIGN.

5050 SERIES

High Flow, Piston Sensed
Pressure Reducing Regulators

SPECIFICATIONS

- **MAXIMUM INLET PRESSURE:**
 - 1000 PSIG (68.95 bar)
- **PRESET OUTLET PRESSURE (50-12560):**
 - 100 psig (6.89 bar)
- **OUTLET PRESSURE RANGE (50-12860 & 50-13144)**
 - 0-25 psig (0-1.72 bar)
 - 0-50 psig (0-3.45 bar)
 - 0-100 psig (0-6.89 bar)
 - 0-150 psig (0-10.34 bar)
 - 0-200 psig (0-13.79 bar)
 - 0-350 psig (0-24.13 bar) *P/N 50-12680 only*
- **FLOW (Cv):** 5.0

MATERIALS OF CONSTRUCTION

- **BODY MATERIAL OPTIONS:**
 - 303 Stainless Steel
 - 316 Stainless Steel
 - 6061-T6 Aluminum (Clear Anodize)
 - Monel 400® (50-12560 only)
- **MAIN VALVE SEAT OPTIONS:**
 - Buna-N
 - Viton®
 - PTFE
- **O-RING SEAL OPTIONS:**
 - Buna-N
 - Viton®
 - FFKM
 - EPDM
- **STANDARD LUBRICANT:**
 - Krytox® GPL 206

PORTING

- **INLET/OUTLET OPTIONS:**
 - See selection tables
- **GAUGE PORTS:**
 - 1/4" FNPT

OPTIONS

- Private labeling

Viton® is a registered trademark of E.I. duPont de Nemours and Company

Monel® is a registered trademark of Special Metals Corporation

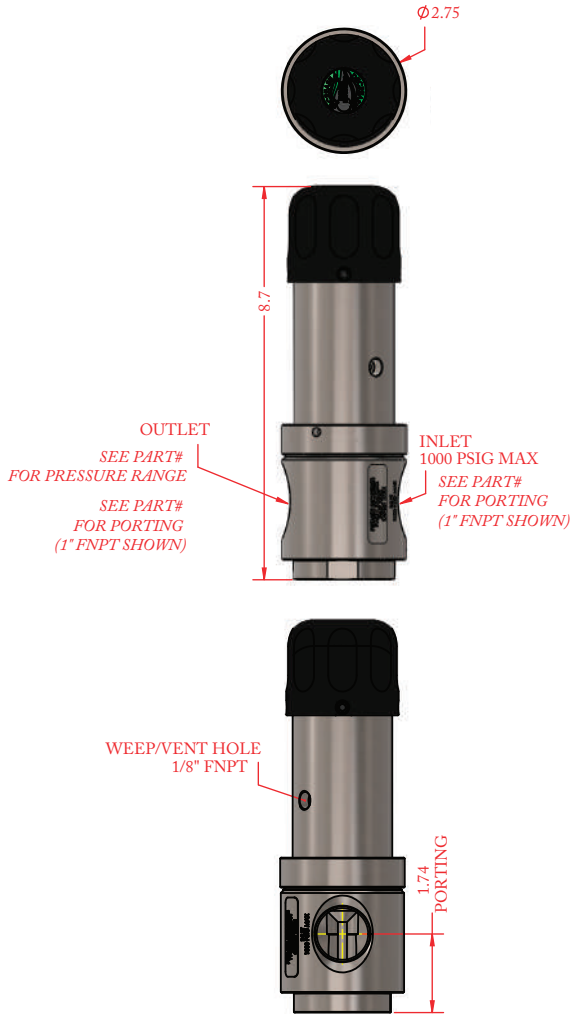
Krytox® is a registered trademark of The Chemours Company FC, LLC.

Contact factory for material certifications. Fees may apply.

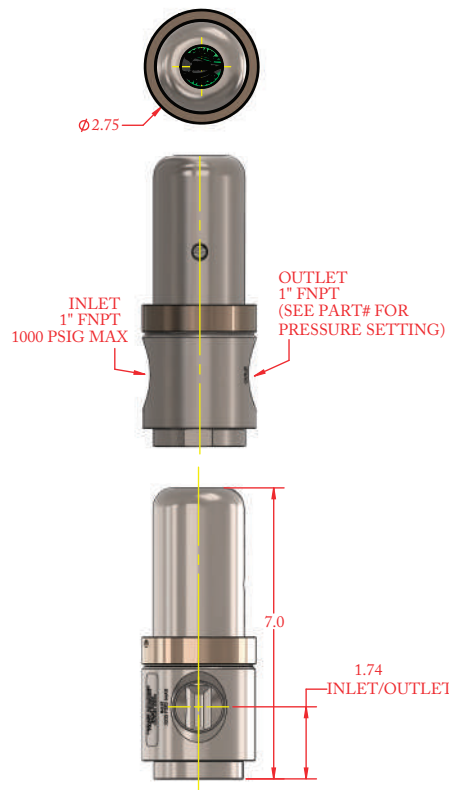
5050 SERIES

High Flow, Piston Sensed
Pressure Reducing Regulators

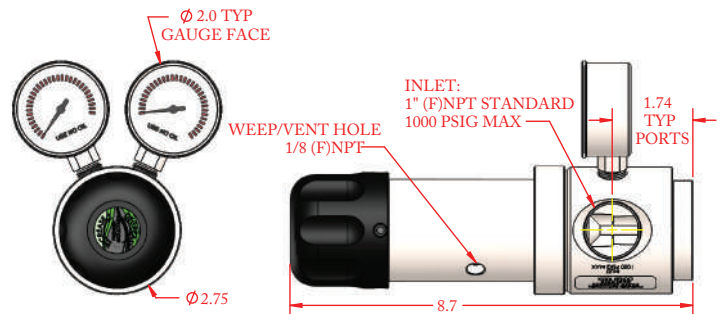
PART NUMBER: 50-12860



PART NUMBER: 50-12560



PART NUMBER: 50-12860 / 50-13144



PART #	-	1	2	-	XXX	-	MODS
50-12560	-			-		-	

**PRESET OUTLET PRESSURE,
NON-VENTING**

1	BODY / PROCESS WETTED COMPONENT MATERIALS
1	303 Stainless Steel Body / 316 Stainless Steel Valve Spring
2	316 Stainless Steel Body / 316 Stainless Steel Valve Spring
3	Monel 400® Body Elgiloy® valve and load springs*
4	Aluminum, Clear Anodize 316 Stainless Steel Valve Spring and 300 Series main valve components
<p><i>*NON-STANDARD NON-WETTED COMPONENTS USED FOR MONEL CONFIGURATION LOAD SPRING IS ELGILOY AND ALL OTHER NON-WETTED COMPONENTS ARE 316SS</i></p>	
2	SEALS / SEAT MATERIAL
1	Buna-N
2	Viton®

*Viton® is a registered trademark of E.I.duPont de Nemours and Company
Monel® is a registered trademark of E.I.duPont de Nemours and Company
Krytox® is a registered trademark of The Chemours Company FC, LLC.*

PRESET OUTLET PRESSURE

Specify preset outlet pressure setting in
"XXX" psig. 100 psig maximum setting.

*(Examples, use "025" for 25 psig outlet setting,
075" is 75 psig outlet setting)*

Outlet setting will be made at maximum rated
inlet pressure unless specified otherwise when
ordered.

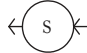

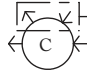
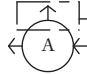

MODIFICATIONS

(Include all applicable)

BLANK	1" FNPT PROCESS PORTS NO GAUGES (STANDARD)
A	3/4 FNPT PROCESS PORTS
B	INCLUDE GAUGE PORTS (1/4 FNPT) NO GAUGES
C	INCLUDE GAUGE PORTS WITH GAUGES INSTALLED
AC	KRYTOX 240AC

PART #	-	1	2	-	3	4	-	5	-	MODS
50-12860	-			-			-		-	

HAND LOADED, NON-VENTING

1	BODY / BONNET /BACK CAP MATERIAL / FINISH
1	303 STAINLESS STEEL, CLEANED PER PI #515
2	316 STAINLESS STEEL, CLEANED PER PI #515
3	6061-T6 ALUMINUM, CLEAR ANODIZE
2	SEAT / SEAL MATERIAL
1	BUNA-N (SEAT AND SEAL)
2	VITON® (SEAT AND SEAL)
3	PTFE / FFKM <i>(CONTACT FACTORY FOR PRICING)</i>
4	PTFE / EPDM
3	PORTING 1" FNPT UNLESS OTHERWISE NOTED
1	
2	
3	
4	
5	 <i>DERATE TO Cv 3.5</i>


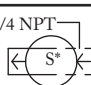

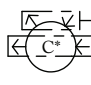

4	GAUGES
0	NO GAUGES
1	INCLUDE GAUGES <i>(NOT AVAILABLE ON S/S*/S** PORTING)</i>
5	OUTLET PRESSURE RANGE
1	0-25 PSIG (0-1.72 BAR)
2	0-50 PSIG (0-3.45 BAR)
3	0-100 PSIG (0-6.89 BAR)
4	0-150 PSIG (0-10.34 BAR)
5	0-200 PSIG (0-13.79 BAR)
6	0-350 PSIG (0-24.13 BAR)
MODIFICATIONS	
BLANK	NONE
AC	KRYTOX® 240AC
B	MOUNTING BRACKET

Viton® is a registered trademark of E.I. du Pont de Nemours and Company

Krytox® is a registered trademark of The Chemours Company FC, LLC.

PART #	-	1	2	-	3	4	-	5
50-13144	-			-			-	

HAND LOADED, SELF-VENTING

1	BODY /BONNET /BACK CAP MATERIAL/ <i>FINISH</i>
1	303 Stainless Steel, <i>Cleaned per PI #515</i>
2	316 Stainless Steel, <i>Cleaned per PI #515</i>
3	6061-T6 Aluminum, <i>Clear Anodize</i>
2	SEAT AND SEAL MATERIAL
1	Buna-N
2	Viton®
3	PORTING <i>1" FNPT UNLESS OTHERWISE NOTED</i>
1	
2	 3/4 NPT
3	 1/4 NPT
4	 1/4 NPT 1/2 NPT <i>(DERATE TO Cv 3.5)</i>
5	 AS5202-16 <i>(BODY OD = 3.48")</i>

4	GAUGES
0	NO GAUGES
1	INCLUDE GAUGES <i>(NOT AVAILABLE ON S/S*/S** PORTING)</i>
5	OUTLET PRESSURE RANGE
1	0-25 PSIG (0-1.72 bar)
2	0-50 PSIG (0-3.45 bar)
3	0-100 PSIG (0-6.89 bar)
4	0-150 PSIG (0-10.34 bar)
5	0-200 PSIG (0-13.79 bar)
MODIFICATIONS	
BLANK	None
AC	Krytox 240AC

Viton® is a registered trademark of E.I.duPont de Nemours and Company

Krytox® is a registered trademark of The Chemours Company FC, LLC.