

6100DL SERIES

Dome Loaded, Hydraulic, High Pressure
Back Pressure Regulator



Premier 6100DL Series dome loaded, hydraulic, piston sensed, high pressure, back pressure regulators are rated for control pressures up to 6000 PSIG (*413.69 bar*), and Cv 0.06, 0.14, or 0.2.

Premier 6100DL Series regulators are used to regulate to a broad range of non-corrosive and corrosive media (*based on materials of construction*).

FEATURES

- Compatible with electro pneumatic controllers
- 1:1 dome load
- Cv 0.06, 0.14, 0.2 (*Cv 0.4 model available upon request*)
- Control pressures up to 6000 PSIG (*413.69 bar*)
- Very competitive pricing
- Machined bar stock body, bonnet and piston eliminates porosity found in castings
- Gas versions available
- Designs available with bias spring

SOME APPLICATIONS WILL REQUIRE A CUSTOM SOLUTION.
CONTACT PREMIER INDUSTRIES TO REQUEST A MODIFICATION
OR A CUSTOM DESIGN.

SPECIFICATIONS

- **MAXIMUM INLET PRESSURE:**
 - REGULATOR: 6000 PSIG (413.69 bar)
 - DOME LOAD: 6000 PSIG (413.69 bar)
- **MAXIMUM CONTROL PRESSURE:**
 - 6000 PSIG (413.69 bar)
- **FLOW (Cv):** 0.06, 0.14, or 0.20
(See P/N 30-10221F for Cv 0.4)

MATERIALS OF CONSTRUCTION

- **BODY OPTIONS:**
 - SAE 360 Brass
 - 316 Stainless Steel
- **BONNET OPTIONS:**
 - SAE 360 Brass
 - 303 Stainless Steel
- **MAIN VALVE SEAT OPTIONS:**
 - Vespel®
 - 17-4 Stainless Steel
- **ELASTOMER SEAL OPTIONS:**
 - BUNA-N
 - Viton®
 - EPDM
 - FFKM (Contact Premier for pricing)
- **WETTED PARTS:**
 - 300 Series Stainless Steel
 - 17-4 Stainless Steel

PORTING

- **INLET/OUTLET OPTIONS**
 - 1/4", 3/8" FNPT
 - 1/4", 3/8" SAE J1926
 - 1/4", 3/8" SAE AS5202 (MS33649**)
- **LOAD PORT:** 1/8" FNPT

**SAE AS5202 supersedes MS33649

OPTIONAL ITEMS

- Private label
- Load port orientation
- Bias spring (P/N: 30-10211)
- Cv 0.4 model (P/N: 30-10211F)

Vespel® and Viton® are registered trademarks of
E.I. duPont de Nemours and Company

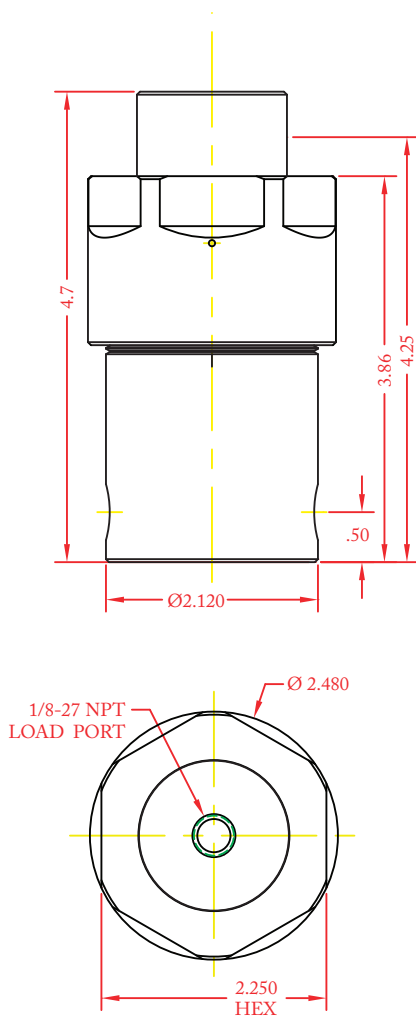
Krytox® is a registered trademark of The Chemours
Company FC, LLC.

Contact factory for material certifications.
Fees may apply.

6100DL SERIES

Dome Loaded, Hydraulic, High Pressure
Back Pressure Regulator

PART NUMBER: 30-10211D



6100DL SERIES

Dome Loaded, Hydraulic, High Pressure
Back Pressure Regulator

SERIES	-	1	2	3	4	-	5	6	-	7	-	MODS
30-10211D	-					-			-		-	

1	BODY MATERIALS
1	SAE 360 BRASS BODY & BONNET
2	316 STAINLESS STEEL BODY, 303 STAINLESS STEEL BONNET
2	FLOW (Cv)
0	Cv 0.06
1	Cv 0.14
2	Cv 0.2
3	PORT SIZE
4	1/4"
6	3/8"
DOME PORT: 1/8-27 FNPT	

4	PORT TYPE
1	FNPT
2	SAE J1926
3	SAE AS5202 (MS33649**)
<i>**SAE AS5202 supersedes MS33649</i>	
5 6	O-RING MATERIAL
00	BUNA-N
02	VITON®
05	EPDM
11	FFKM (Contact Premier for pricing)

7	VALVE SEAT
0	VESPEL®
1	17-4 STAINLESS STEEL
MODIFICATIONS	
BLANK	NONE
AC	KRYTOX 240AC

6000 PSIG MAX INLET
The end user is responsible to ensure
adequate fittings are used to connect
regulator to plumbing.

VespeL® and Viton® are registered
trademarks of E.I. duPont de
Nemours and Company

Krytox® is a registered trademark of
The Chemours Company FC, LLC.

Contact factory for material
certifications. Fees may apply.