

# 6125 SERIES

Hydraulic, High Pressure, 20000 PSIG  
Back Pressure Regulator



Premier 6125 Series single stage, piston sensed, high pressure, hydraulic, back pressure regulators are rated for control pressures up to 20000 PSIG (*1378.95 bar*), and Cv 0.03, 0.06, 0.14, or 0.20.

## FEATURES

- Rated for pressures up to 20000 PSIG (*1378.95 bar*)
- Flow capacity (Cv): 0.03, 0.06, 0.14, or 0.20
- Fluted knob with ball-bearing loader
- Machined bar stock body, bonnet and piston eliminates porosity found in castings

**SOME APPLICATIONS WILL REQUIRE A CUSTOM SOLUTION.**  
CONTACT PREMIER INDUSTRIES TO REQUEST A MODIFICATION  
OR A CUSTOM DESIGN.

# 6125 SERIES

Hydraulic, High Pressure, 20000 PSIG  
Back Pressure Regulator

## SPECIFICATIONS

- **MAX INLET PRESSURE:**
  - 20000 PSIG (1378.95 bar)
- **CONTROL PRESSURE RANGE:**
  - 500-20000 PSIG (34.47 - 1378.95 bar)
- **FLOW (Cv):** 0.03, 0.06, 0.14, 0.20
- **OPERATING TEMPERATURE:**
  - -15°F/-26°C to 165°F/74°C (BUNA-N)
  - -4°F/-20°C to 165°F/74°C (VITON-A®)
  - -65°F/-54°C to 165°F/74°C (EPDM)

*\*\*lower temperature compounds available upon request*

## MATERIALS OF CONSTRUCTION

- **BODY:**
  - 316 Stainless Steel,
- **BONNET:**
  - 17-4 Stainless Steel
- **WETTED PARTS, OTHER:**
  - 316 Stainless Steel
  - 17-4 Stainless Steel
- **O-RINGS:**
  - BUNA-N
  - AFLAS®
  - Viton-A®
  - EPDM
  - FFKM
- **BACK-UP RINGS:** PCTFE & PEEK®
- **VALVE SEAT:**
  - 316 Stainless Steel
- **STANDARD LUBRICANT:**
  - Krytox® GPL 206

## PORTING

- **INLET/OUTLET/VENT PORTING:**
  - 1/4" Medium pressure, High Pressure\*
  - 3/8" Medium pressure, High Pressure
  - 9/16" Medium pressure, High Pressure

*\*Cv 0.20 not available with 1/4" high pressure ports*

## OPTIONAL ITEMS

- Surface mount
- Panel mounting nuts (P/N: 30-10145-02)

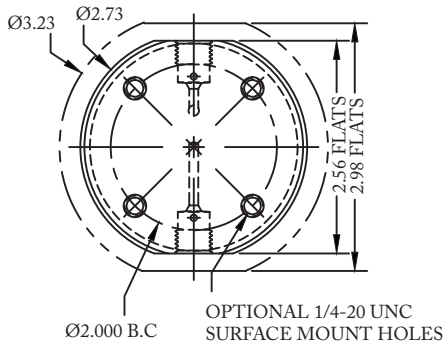
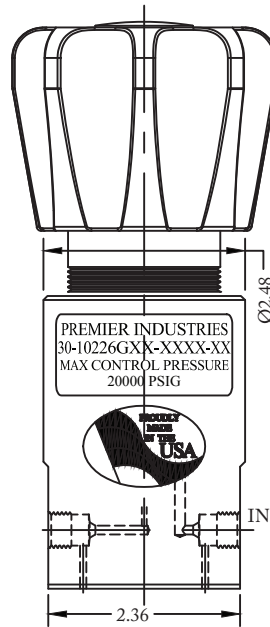
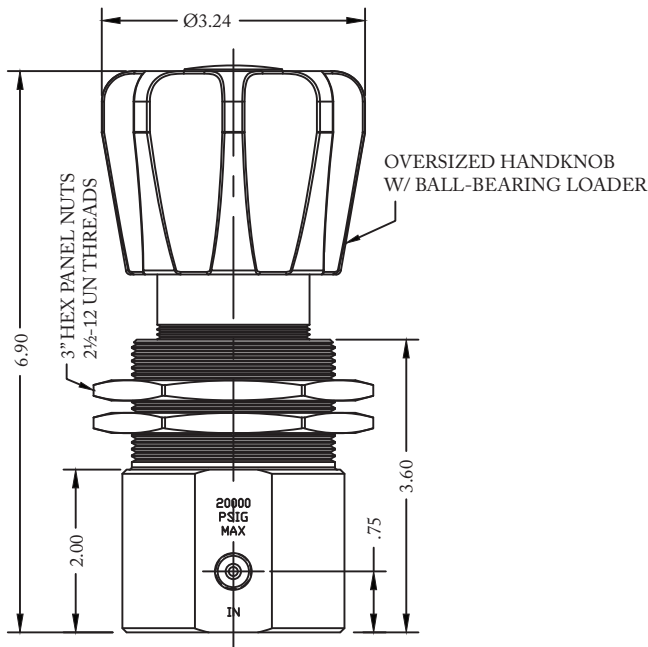
*Viton® is a registered trademarks of E.I.duPont de Nemours and Company*

*AFLAS® is a registered trademark of the Asahi Glass Co., Ltd.*

*PEEK® is a registered trademark of Victrex PLC*

*Krytox® is a registered trademark of The Chemours Company FC, LLC.*

**PART NUMBER: 30-10226**



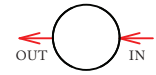
MOUNTING BRACKET BODY		
PORT TYPE	BODY Ø	FLATS
1/4" M.P. & H.P.	Ø2.48	2.36
3/8" M.P. & H.P.	Ø2.48	2.36
9/16" M.P.	Ø3.23	2.98

PANEL NUT BODY		
PORT TYPE	BODY Ø	FLATS
1/4" M.P. & H.P.	Ø2.73	2.56
3/8" M.P. & H.P.	Ø2.73	2.56
9/16" M.P.	Ø3.23	2.98

# 6125 SERIES

Hydraulic, High Pressure, 20000 PSIG  
Back Pressure Regulator

PART #	1	2	-	3	4	5	6	-	7	8	-	MODS
30-10226			-					-			-	

1 2	BODY STYLE
MB	MOUNTING BRACKET STYLE BODY
PN	PANEL NUT STYLE BODY <i>(PANEL NUTS INCLUDED)</i>
3	FLOW (Cv)
A	Cv: 0.03
0	Cv: 0.06
1	Cv: 0.14
2	Cv: 0.20*
<i>*0.20 CV NOT AVAILABLE WITH 1/4" HIGH PRESSURE PORTS</i>	
4	PORTING CONFIGURATION
S	

5	PORT SIZE
4	1/4"
6	3/8"
9	9/16"
6	PORT TYPE <i>(IN/OUT/VENT)</i>
4	MEDIUM PRESSURE
5	HIGH PRESSURE*
<i>*0.20 CV NOT AVAILABLE W/ 1/4" HIGH PRESSURE PORTS</i>	

7 8	O-RING MATERIAL
00	BUNA-N
01	AFLAS®
02	VITON®
05	EPDM
11	FFKM <i>(Contact Premier for pricing)</i>
MODIFICATIONS	
BLANK	NONE
AC	KRYTOX 240AC
SM	SURFACE MOUNT

**20000 PSIG MAX INLET**  
*The end user is responsible to ensure adequate fittings are used to connect regulator to plumbing.*

*Viton® is a registered trademark of E.I.duPont de Nemours and Company*

*AFLAS® is a registered trademark of the Asahi Glass Co., Ltd.*

*Krytox® is a registered trademark of The Chemours Company FC, LLC.*

*Contact factory for material certifications. Fees may apply.*