

O2 2800PAL

Air Loaded, High Flow, Piston Sensed
Pressure Reducing Regulators



Premier O2 2800PAL Series regulators are single stage, air loaded, high flow, piston sensed regulators with a balanced stem for increased delivery pressure stability. These piston sensed, high flow regulators are rated for inlet pressures up to 3600 PSIG / 248.2 BAR, and Cv 2.0. Premier O2 2800PAL Series regulators are rated for outlet pressures up to 1000 PSIG (68.95 bar). Premier O2 2800PAL Series regulators are designed for use with Oxygen.

FEATURES

- Significantly reduced supply pressure effect / increased stability in outlet pressure
- Designed for use with Oxygen.
- High flow capacity (Cv): 2.0
- Piston sensed
- Compatible with electro-pneumatic controllers
- 3600 PSIG / 248.2 BAR max inlet (dependent upon configuration)
- Non-venting
- Machined bar stock body eliminates porosity found in castings
- Very competitive pricing

SOME APPLICATIONS WILL REQUIRE A CUSTOM SOLUTION.
CONTACT PREMIER INDUSTRIES TO REQUEST A MODIFICATION
OR A CUSTOM DESIGN.

O2 2800PAL

Air Loaded, High Flow, Piston Sensed
Pressure Reducing Regulators

SPECIFICATIONS

- **MAXIMUM INLET PRESSURE:**
 - 3600 PSIG / 248.2 BAR (*monel and brass*)
 - 3000 PSIG / 206.8 BAR (*brass*)
- **MAXIMUM LOAD PRESSURE:**
 - 125 PSIG / 8.6 BAR
- **OUTLET PRESSURE RANGES:**
 - 0-200 PSIG / 0-13.8 BAR
 - 0-400 PSIG / 0-27.6 BAR
 - 0-600 PSIG / 0-41.4 BAR
 - 0-800 PSIG / 0-55.2 BAR
 - 0-1000 PSIG / 0-68.95 BAR
- **FLOW (Cv):** 2.0

MATERIALS OF CONSTRUCTION

- **BODY AND BONNET OPTIONS:**
 - SAE 360 Brass
 - Monel/SAE 360 Brass
- **PISTON:**
 - SAE 360 Brass
 - Monel
- **MAIN VALVE SEAT:**
 - PCTFE
- **ELASTOMER SEAL OPTIONS:**
 - FFKM
 - Viton-A®
 - Polyurethane
- **MAIN VALVE PARTS:**
 - SAE 360 Brass
 - Monel
- **OPTIONAL PANEL MOUNTING NUT:**
(NON-WETTED)
 - 6061-T6 Aluminum/Nickel Plated
- **STANDARD LUBRICANT:**
 - Krytox® GPL 206

PORTING

- **INLET/OUTLET PORTS:**
 - 1/2" FNPT
- **OPTIONAL GAUGES:**
 - 1/4" FNPT
- **LOAD PORT:**
 - 1/4" FNPT

OPTIONS

- Panel Mounting Nut(s) (*1 or 2*) P/N 50-11803
- Gauges
- Private Label

Viton® is a registered trademark of E.I. duPont de Nemours and Company

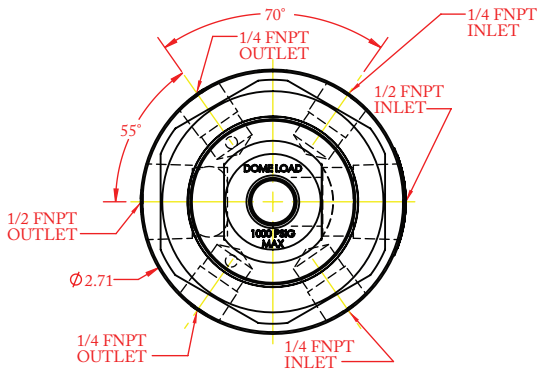
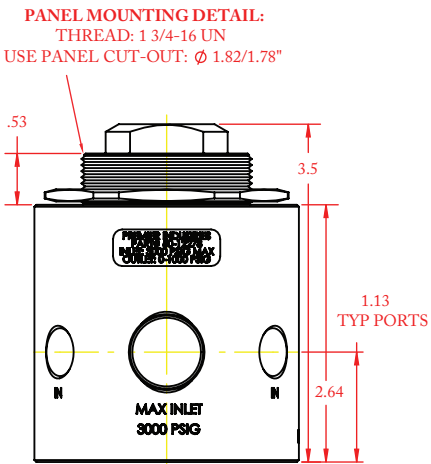
Krytox® is a registered trademark of The Chemours Company FC, LLC.

Contact factory for material certifications. Fees may apply.

O2 2800PAL

Air Loaded, High Flow, Piston Sensed
Pressure Reducing Regulators

PART NUMBER: 50-13566
SHOWN BELOW

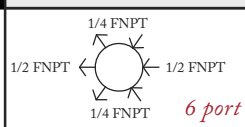
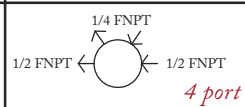
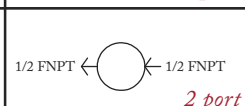


O2 2800PAL

Air Loaded, High Flow, Piston Sensed
Pressure Reducing Regulators

PART #	-	1	2	3	4	5	6	7	8	-	MODS
50-13566	-									-	

1	BODY & BONNET MATERIAL AND FINISH
1	SAE 360 BRASS 3000 PSIG MAX INLET
2	MONEL/SAE 360 BRASS 3600 PSIG MAX INLET
2	OUTLET PRESSURE
1	0-200 PSIG (0-13.8 bar)
2	0-400 PSIG (0-27.6 bar)
3	0-600 PSIG (0-41.4 bar)
4	0-800 PSIG (0-55.2 bar)
5	0-1000 PSIG (0-68.95 bar)
3	ELASTOMER SEALS
2	VITON-A®
4	FFKM
8	POLYURETHANE

4	SEAT MATERIAL
1	PCTFE
5	GAUGES
0	NONE
6	OPTIONAL PANEL MOUNTING NUT(S)
0	None
1	1 MOUNTING NUT
2	2 MOUNTING NUTS
7	PORTING CONFIGURATION
A	 6 port
B	 4 port
C	 2 port
LOAD PORT: 1/4" FNPT	

8	MOUNTING HOLES
0	NONE
MODIFICATIONS	
BLANK	NONE
AC	KRYTOX 240AC

Viton® is a registered trademark of E.I. duPont de Nemours and Company

Krytox® is a registered trademark of The Chemours Company FC, LLC.

Contact factory for material certifications. Fees may apply.