

6123 SERIES

Hydraulic, High Pressure, 15000 PSIG
Back Pressure Regulator



High pressure, hydraulic, Premier 6123 Series back pressure regulators are single stage, piston sensed, variable control pressure regulators, rated for inlet pressures up to 15000 PSIG (*1034.21 bar*) with a control pressure range of 300-15000 PSIG (*20.68 - 1034.21 bar*). For optimum compatibility with your desired application, we offer a choice of four seat materials: hardened 17-4 stainless steel, Vespel®, 316 stainless steel and PEEK®.

Premier 6123 Series regulators are used to regulate a broad range of non-corrosive and corrosive media (based on materials of construction) and can be used for both hydraulic and gas applications.

FEATURES

- Rated for pressures up to 15000 PSIG (*1034.21 bar*)
- Flow (Cv): 0.03, 0.06 0.14, or 0.20
- Low torque ball bearing hand knob
- Durable hardened stainless steel seat option
- Very competitive pricing
- Machined bar stock body, bonnet and piston eliminates porosity found in castings
- Numerous optional features are available.

SOME APPLICATIONS WILL REQUIRE A CUSTOM SOLUTION.
CONTACT PREMIER INDUSTRIES TO REQUEST A MODIFICATION
OR A CUSTOM DESIGN.

SPECIFICATIONS

- **MAXIMUM INLET PRESSURE:**
 - 15000 PSIG (1034.21 bar)
- **CONTROL PRESSURE RANGE:**
 - 300-15000 PSIG (20.68 - 1034.21 bar)
- **FLOW (C_v):** 0.03, 0.06, 0.14, or 0.20
- **OPERATING TEMPERATURE:**
 - -15°F/-26°C to 165°F/74°C (BUNA-N)
 - -4°F/-20°C to 165°F/74°C (VITON-A®)
 - -65°F/-54°C to 165°F/74°C (EPDM)
 - 15°F/-9°C to 165°F/74°C (AFLAS)
 - -65°F/-54°C to 165°F/74°C (NITRILE)

MATERIALS OF CONSTRUCTION

- **BODY :**
 - 316 Stainless Steel,
- **BONNET:**
 - 17-4 Stainless Steel
- **WETTED PARTS, OTHER:**
 - 316 Stainless Steel
 - 17-4 Stainless Steel
- **O-RINGS:**
 - BUNA-N
 - AFLAS®
 - Viton-A®
 - EPDM
 - FFKM (*Contact Premier for pricing*)
 - Nitrile, Lo-temp
- **BACK-UP RINGS:** PTFE or PCTFE
- **VALVE SEAT:**
 - Vespel®
 - PEEK®
 - 17-4 Stainless Steel, Hardened
 - 316 Stainless Steel
- **STANDARD LUBRICANT:**
 - Krytox GPL 206®

PORTING

- **INLET/OUTLET PORTING OPTIONS:**
 - 1/4", 3/8" FNPT
 - 1/4", 3/8", 9/16" Medium pressure
 - 1/4", 3/8" High pressure

OPTIONAL ITEMS

- Inlet gauge
- Private label
- Panel mounting bracket: P/N: 30-10059 (Ø2.15 panel hole)

Vespel® and Viton® are registered trademarks of E.I. duPont de Nemours and Company

AFLAS® is a registered trademark of the Asahi Glass Co., Ltd.

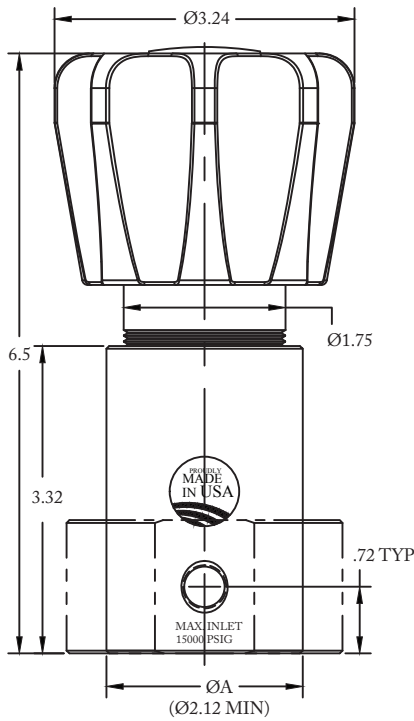
PEEK® is a registered trademark of Victrex PLC

Krytox® is a registered trademark of The Chemours Company FC, LLC.

6123 SERIES

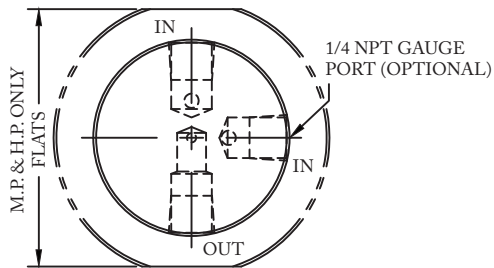
Hydraulic, High Pressure, 15000 PSIG
Back Pressure Regulator

PART NUMBER: 30-10223



BODY DIMENSIONS

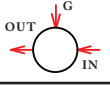

PORT TYPE	ØA	FLATS
1/4 & 3/8 NPT	Ø2.12	—
1/4" M.P. & H.P.	Ø2.12	1.98
3/8" M.P.	Ø2.48	2.36
3/8" H.P.	Ø2.98	2.78
9/16" M.P.	Ø2.98	2.78



6123 SERIES

Hydraulic, High Pressure, 15000 PSIG
Back Pressure Regulator

PART #:	1	2	-	3	4	5	6	7	-	8	9	-	10	-	MODS
30-10223			-						-			-		-	

1 2	MOUNTING STYLE
BLANK	MOUNTING BRACKET STYLE
PN	PANEL NUT STYLE
3	OUTLET PRESSURE
8	300-15000 PSIG 20.68-1034.21 BAR
4	PORTING CONFIGURATION
H	
S	
5	PORT SIZE
4	1/4"
6	3/8"
9	9/16" (ONLY AVAILABLE IN MEDIUM PRESSURE)

6	PORT TYPE
1	FNPT
4	MEDIUM PRESSURE
5	HIGH PRESSURE
<i>GAUGE PORT: 1/4" FNPT</i>	
7	VALVE SEAT
0	VESPEL®
1	17-4 H900 STAINLESS STEEL
2	316 STAINLESS STEEL
3	PEEK®

Vespel® and Viton® are registered trademarks of E.I. duPont de Nemours and Company

AFLAS® is a registered trademark of the Asahi Glass Co., Ltd.

PEEK® is a registered trademark of Victrex PLC

Krytox® is a registered trademark of The Chemours Company FC, LLC.

Contact factory for material certifications. Fees may apply.

8 9	O-RINGS
00	BUNA-N
01	AFLAS®
02	VITON®
05	EPDM
11	FFKM <i>(CONTACT PREMIER FOR PRICING)</i>
12	NITRILE, LOW-TEMP
10	Cv (FLOW)
A	0.03
0	0.06
1	0.14
2	0.20
MODIFICATIONS	
BLANK	NONE
AC	KRYTOX 240AC
HC	HASTELLOY C-276 VALVE STEM
N	NACE MR0175 COMPATIBLE
SM	SURFACE MOUNT

15000 PSIG MAX INLET
The end user is responsible to ensure adequate fittings are used to connect regulator to plumbing.