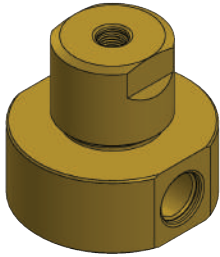


O2 2500DL SERIES

Dome Loaded, Pneumatic, Diaphragm Sensed
Pressure Reducing Regulators



Premier O2 2500DL Series regulators dome loaded, single stage, diaphragm sensed, pressure reducing regulators are rated for inlet pressures up to 3000 PSIG (206.84 BAR), dome/outlet pressures up to 100 PSIG (6.89 BAR), and Cv 0.20. Premier O2 2500DL Series regulators are designed for use with Oxygen.

FEATURES

- Compact size
- Designed for use with Oxygen
- 3000 PSIG (206.84 BAR) max inlet pressure
- Cv 0.20
- 1:1 dome:outlet ratio
- Machined bar stock body, bonnet, and piston eliminates porosity found in castings

SOME APPLICATIONS WILL REQUIRE A CUSTOM SOLUTION.
CONTACT PREMIER INDUSTRIES TO REQUEST A MODIFICATION
OR A CUSTOM DESIGN.

O2 2500DL SERIES

Dome Loaded, Pneumatic, Diaphragm Sensed
Pressure Reducing Regulators

SPECIFICATIONS

- **MAXIMUM INLET PRESSURE:**
 - 3000 PSIG (*206.84 BAR*)
- **MAXIMUM OUTLET PRESSURE:**
 - 100 PSIG (*6.89 BAR*)
- **FLOW (C_v):** 0.20
- **LOAD RATIO:** 1:1

MATERIALS OF CONSTRUCTION

- **BODY MATERIAL:**
 - SAE 360 Brass
- **BONNET MATERIAL:**
 - SAE 360 Brass
- **DIAPHRAGM MATERIAL:**
 - Neoprene with 1-ply polyester fabric insert
- **DIAPHRAGM SEAL:** PTFE
- **VALVE SEAT:** PCTFE

PORTING

- **INLET AND OUTLET PORT OPTIONS:**
 - 1/4 FNPT, SAE AS5202
 - 1/2 FNPT, SAE AS5202
- **DOMEST PORT:**
 - 1/4 FNPT

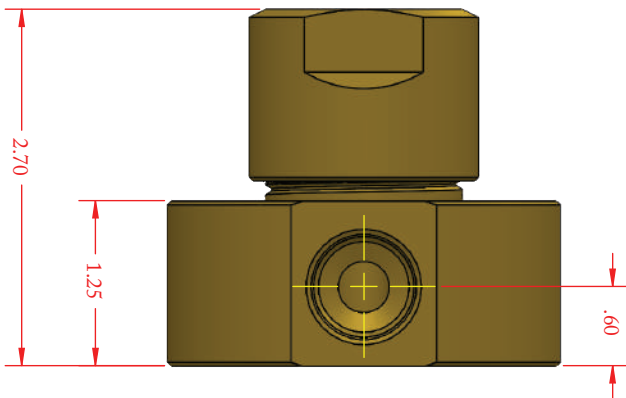
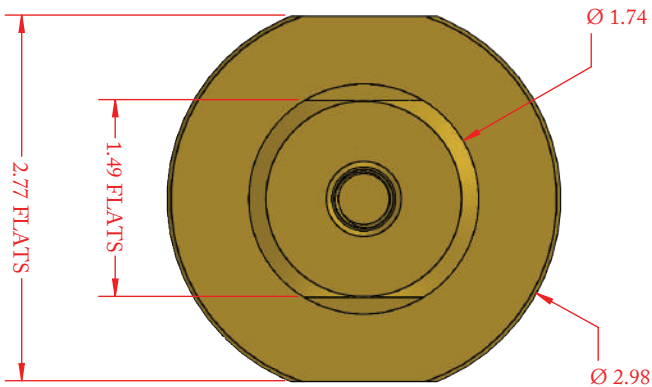
OPTIONS

- Private label
- Gauges

O2 2500DL SERIES

Dome Loaded, Pneumatic, Diaphragm Sensed
Pressure Reducing Regulators

PART NUMBER: 50-13570



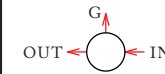

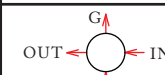
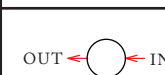
O2 2500DL SERIES

Dome Loaded, Pneumatic, Diaphragm Sensed
Pressure Reducing Regulators

PART #	-	1	2	3	4	-	5	6	7
50-13570	-					-			

1	BODY MATERIAL AND FINISH
1	SAE 360 BRASS
2	MAIN VALVE Cv
2	Cv 0.20
3	DIAPHRAGM MATERIAL
6	NEOPRENE DIAPHRAGM
4	SEAT MATERIAL
1	PCTFE

5	PORT SIZE
4	1/4"
8	1/2"
6	PORT TYPE
0	FNPT
3	AS5202

7	PORTING CONFIGURATIONS
A	
C	
L	
S	

Contact factory for material certifications.
Fees may apply.