

6016 SERIES

Hydraulic, High Pressure, High Flow
Pressure Reducing Regulators



Premier 6016 Series regulators are hydraulic, high pressure, high flow, piston sensed, pressure reducing regulators rated for inlet pressures up to 10000 psig / 689.5 bar (*dependent upon configuration*), and Cv 1.0. Captured venting allows potentially hazardous media to be safely piped away.

FEATURES

- Hydraulic
- High flow capacity (Cv): 1.0
- Captured venting (*standard*)
- Piston sensed
- Optional gauge ports
- Machined bar stock body eliminates porosity found in castings

SOME APPLICATIONS WILL REQUIRE A CUSTOM SOLUTION.
CONTACT PREMIER INDUSTRIES TO REQUEST A MODIFICATION
OR A CUSTOM DESIGN.

SPECIFICATIONS

- **MAXIMUM INLET PRESSURE:**
 - 10000 PSIG (689.5 bar)
- **CONTROL PRESSURE OPTIONS:**
 - 150 PSIG (0-10.3 bar)
 - 300 PSIG (0-20.7 bar)
 - 500 PSIG (0.3-34.5 bar)
 - 1000 PSIG (0.3-68.9 bar),
 - 1500 PSIG (0.7-103.4 bar)
 - 2500 PSIG (1.0-172.4 bar)
 - 4000 PSIG (1.7-275.8 bar)
 - 6000 PSIG (3.4-413.7 bar)
 - 10000 PSIG (6.9-689.5 bar)
- **FLOW (Cv):** 1.0
- **VENT VALVE (Cv):** 0.06
- **OPERATING TEMPERATURE:****
 - -15°F/-26°C to 165°F/74°C (BUNA-N)
 - -4°F/-20°C to 165°F/74°C (Viton®)
 - -65°F/-54°C to 165°F/74°C (EPDM)

*** Lower temperature compounds available*

PORTING

- **INLET/OUTLET PORTING OPTIONS:**
 - 1/2", 3/8" FNPT
 - 1/2", 3/8" SAE J1926
 - 1/2", 3/8" SAE AS5202 (MS33649**)
- **VENT PORT:**
 - 1/4" (inlet/outlet port type)
- **GAUGE PORTS:**
 - 1/4" FNPT

***SAE AS5202 SUPERSEDES MS33649*

MATERIALS OF CONSTRUCTION

- **BODY:**
 - 316 Stainless Steel
- **MAIN VALVE STEM:**
 - 17-4 Stainless Steel
- **MAIN VALVE SEAT:**
 - 316 Stainless Steel
- **VENT VALVE SEAT:**
 - 316 Stainless Steel
- **BACK-UP RINGS:**
 - PTFE or PCTFE
- **O-RING MATERIAL OPTIONS:**
 - BUNA-N
 - AFLAS®
 - Viton®
 - EPDM
 - FFKM (*contact factory for pricing*)
- **OTHER WETTED PARTS:**
 - 316 Stainless Steel,
 - 17-4 Stainless Steel
- **STANDARD LUBRICANT:**
 - Krytox GPL 206

Viton® and Vespel® are registered trademarks of E.I. duPont de Nemours & Company.

AFLAS® is a registered trademark of the Asahi Glass Co., Ltd.

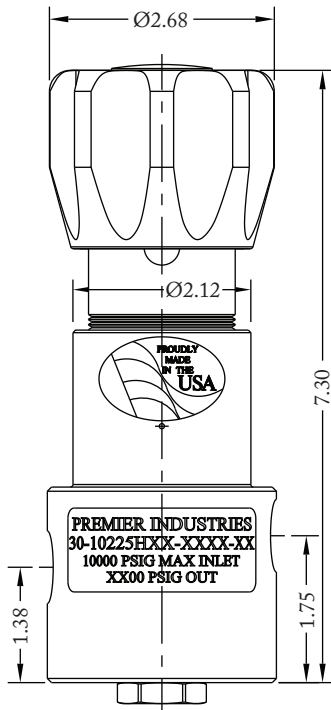
Krytox® is a registered trademark of e Chemours Company FC, LLC.

Contact factory for material certifications. Fees may apply.

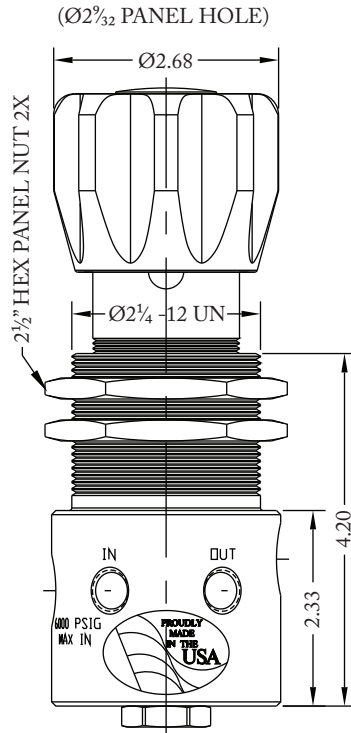
6016 SERIES

Hydraulic, High Pressure, High Flow
Pressure Reducing Regulators

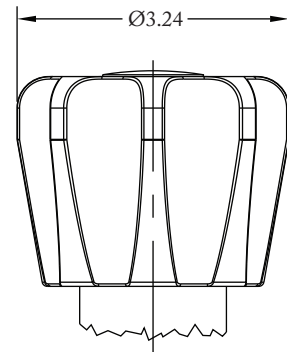
PANEL MOUNTING BRACKET STYLE



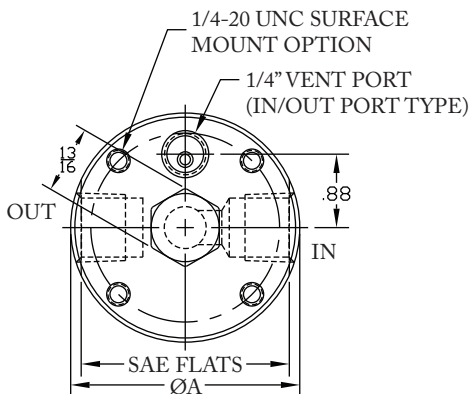
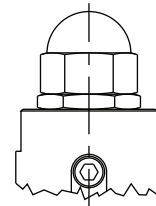
PANEL NUT STYLE



BALL-BEARING HAND KNOB *(Optional)*

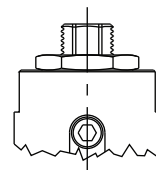


TAMPER RESISTANT ACORN NUT *(Optional)*



PORT TYPE	ØA	FLATS	BODY
NPT	Ø2.73	—	
SAE J1926	Ø3.23	3.05	
3/8 SAE AS5202	Ø3.23	3.05	
1/2 SAE AS5202	Ø3.48	3.30	

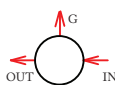
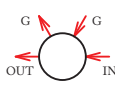
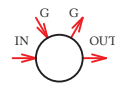
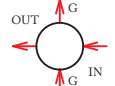

WRNECH ADJUST *(Optional)*



(Part number 30-11050 shown above)

PART NUMBER	1	2	-	3	4	5	6	-	7	8	-	MODS
30-11050			-					-			-	

1 2	MOUNTING STYLE
MB	MOUNTING BRACKET STYLE BODY
PN	PANEL NUT STYLE BODY <i>(PANEL NUTS INCLUDED)</i>
3	OUTLET PRESSURE
C	150 PSIG (10.3 Bar)
0	300 PSIG (20.7 Bar)
1	500 PSIG (34.5 Bar)
2	1000 PSIG (68.9 Bar)
3	1500 PSIG (103.4 Bar)
4	2500 PSIG (172.4 Bar)
5	4000 PSIG (275.8 Bar)
6	6000 PSIG (413.7 Bar)
7	10000 PSIG (689.5 Bar)

4	PORTING CONFIG.
A	
C	
D	
L	
S	
5	PORT SIZE <i>(Inlet/outlet)</i>
6	3/8"
8	1/2"
GAUGE PORTS: 1/4" FNPT VENT PORT: 1/4" inlet/outlet port type	
6	PORT TYPE <i>(Inlet/outlet)</i>
N	FNPT
J	SAE J1926
A	SAE AS5202 (MS33649**) **SAE AS5202 supersedes MS33649

7 8	O-RINGS
00	BUNA-N
01	AFLAS®
02	VITON®
05	EPDM
11	FFKM <i>(CONTACT FACTORY FOR PRICING)</i>
MODIFICATIONS	
BLANK	NONE
AC	KRYTOX 240AC
ANT	ACORN NUT
BBL	BALL-BEARING LOADER
PTU	PORT TYPE UNIFORM
SM	SURFACE MOUNT
WA	WRENCH ADJUST

10000 PSIG MAX INLET
The end user is responsible to ensure adequate fittings are used to connect regulator to plumbing.

Viton® is a registered trademark of E.I.duPont de Nemours and Company. AFLAS® is a registered trademark of the Asahi Glass Co., Ltd. Monel is a registered trademark of Specialty Metals Corporation. Krytox® is a registered trademark of Chemours Company FC, LLC.

Contact factory for material certifications. Fees may apply.