

INLINE FILTER

High Pressure, High Flow



Premier inline filters remove particulates, contaminants, and foreign object debris present in the gas or liquid before it enters the pressure regulator. This protects the regulator's internal components and downstream equipment, ensuring reliable operation, consistent pressure control, and extended service life. Inline filters are especially important in sensitive applications where contamination could cause system failures. When selecting a filter, consider the required micron rating, material compatibility with the media, and flow rate to ensure it meets the system's performance needs.

Premier inline filters are rated to 6000 PSIG (413.7 BAR) and Cv 1.0 or 2.0. Various material options and filter ratings are available to ensure compatibility with a wide range of applications.

FEATURES

- Helps prevent the number 1 cause of failure in regulators.
- Extends the lifespan of pressure regulators and system components
- Simpler Maintenance: allows for easier cleaning or replacement without disassembling pressure regulators in the field.
- Cv 1.0 or 2.0 max
- 6000 PSIG / 413.7 BAR MAX
- Variety of inlet/outlet porting options

SOME APPLICATIONS WILL REQUIRE A CUSTOM SOLUTION.
CONTACT PREMIER INDUSTRIES TO REQUEST A MODIFICATION
OR A CUSTOM DESIGN.

SPECIFICATIONS

- **MAWP PRESSURE :**
 - 6000 PSIG (413.7 BAR)
- **FLOW (Cv) :** 1.0 or 2.0

MATERIALS OF CONSTRUCTION

- **BODY/BONNET OPTIONS:**
 - 316 Stainless Steel
 - SAE 360 Brass
 - 6061-T6 Aluminum / Clear Anodize
- **O-RING OPTIONS:**
 - Buna-N
 - Viton
 - EPDM
 - Neoprene
 - FFKM
- **PARBAK:** Buna-N
- **FILTER OPTIONS:**
 - 316 stainless steel, 20 micron, Cv 1.0
 - Bronze, 20 micron, Cv 1.0
 - Bronze, 40 micron, Cv 2.0

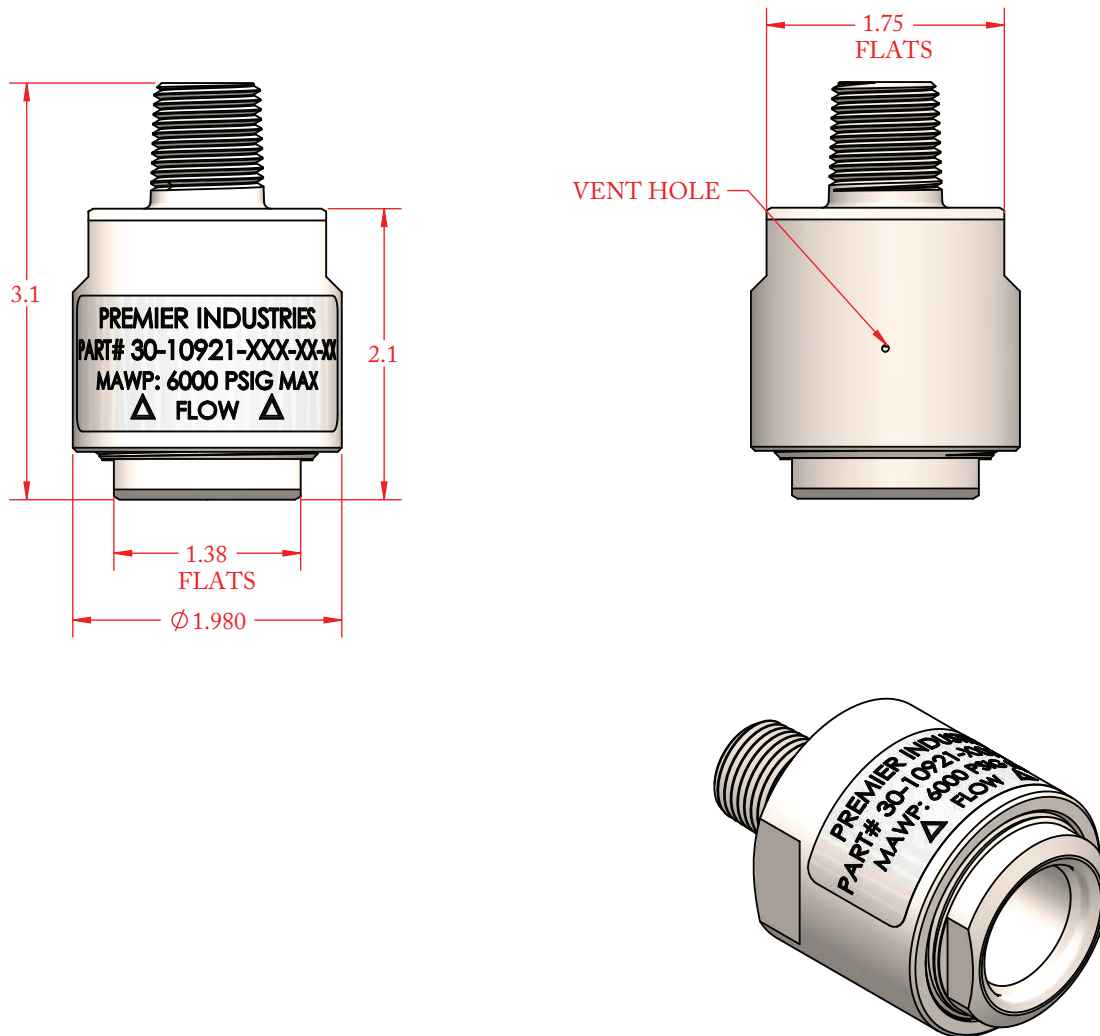
PORTING

- **INLET:**
(ALL INLET TYPES ARE FEMALE)
 - 1/2" FNPT
 - 1/2" SAE AS5202 (tube size -8)
 - 3/4" SAE AS5202 (tube size -12)
 - 1/2" SAE J1926 (tube size -8)
- **OUTLET:**
(ALL OUTLET TYPES ARE FEMALE)
 - 1/2" MNPT
 - 1/2" SAE AS5202 (tube size -8)
 - 3/4" SAE AS5202 (tube size -12)
 - 1/2" SAE J1926 (tube size -8)

Viton® is a registered trademark of E.I. duPont de Nemours and Company.

Contact factory for material certifications. Fees may apply.

PART NUMBER: 30-10921



PART NUMBER:	-	1	2 3	-	4	5	-	6 7
30-10921	-			-			-	

1	BODY/BONNET MATERIAL
0	316 STAINLESS STEEL
1	SAE 360 BRASS
2	6061-T6 ALUMINUM
2 3	O-RING MATERIAL
00	BUNA-N
02	VITON®
05	EPDM
06	NEOPRENE
11	FFKM

4	INLET PORT <i>(ALL INLET TYPES ARE FEMALE)</i>
0	1/2" FNPT
1	1/2" SAE AS5202 (tube size -8)
2	3/4" SAE AS5202 (tube size -12)
3	1/2" SAE J1926 (tube size -8)
5	OUTLET PORT <i>(ALL OUTLET TYPES ARE MALE)</i>
0	1/2" MNPT
1	1/2" SAE AS5202 (tube size -8)
2	3/4" SAE AS5202 (tube size -12)
3	1/2" SAE J1926 (tube size -8)

6 7	FILTER
20	20 MICRON, 316 STAINLESS STEEL Cv 1.0
21	20 MICRON, BRONZE Cv 1.0
40	40 MICRON, BRONZE Cv 2.0

Viton® is a registered trademark of E.I.duPont de Nemours and Company.

Contact factory for material certifications. Fees may apply.