

# 70 0.42G SERIES

High Pressure  
Shut Off Valves



Premier 70 0.42G shut off valves are stainless steel, high pressure valves rated for pressures up to 10000 PSIG.

70 0.42G Series valves support the flow of a liquid or gas in a globe configuration and feature a metal stop that prevents stem over-travel. The metal stop also functions as a secondary metal-to-metal seat should the soft seat fail.

Premier 70 0.42G valves may be used in a wide variety of applications consistent with valve materials compatibility with media. Common applications include gas analysis sampling systems, GSE support pressure panels, research and development labs, manifolds, panels, and instrumentation among others.

## FEATURES

- Rated up to 10000 PSIG
- Cv 0.42
- Globe configuration
- A variety of port sizes and configurations
- Low torque at high pressures
- Bubble-tight shutoff

**SOME APPLICATIONS WILL REQUIRE A CUSTOM SOLUTION.**  
CONTACT PREMIER INDUSTRIES TO REQUEST A MODIFICATION  
OR A CUSTOM DESIGN.

PART NUMBER: 70-1100G

## SPECIFICATIONS

- **MAXIMUM OPERATING PRESSURE :**
  - PTFE seat, SAE 360 Brass body:
    - 3500 PSIG / 241 BAR
  - PTFE seat, 316 Stainless Steel body:
    - 3500 PSIG / 241 BAR
  - PCTFE seat, SAE 360 Brass body:
    - 6000 PSIG / 414 BAR
  - PCTFE seat, 316 Stainless Steel body:
    - 6000 PSIG / 414 BAR
  - PEEK® seat, SAE 360 Brass body:
    - 6000 PSIG / 414 BAR
  - PEEK® seat, 316 Stainless Steel body:
    - 10000 PSIG / 690 BAR
  - Vespel SP-1® seat, SAE 360 Brass body:
    - 6000 PSIG / 414 BAR
  - Vespel SP-1® seat, 316 Stainless Steel body:
    - 10000 PSIG / 690 BAR
- **LEAK RATE:** Bubble Tight
- **FLOW CV:** 0.42

## MATERIALS OF CONSTRUCTION

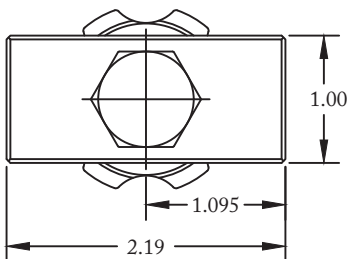
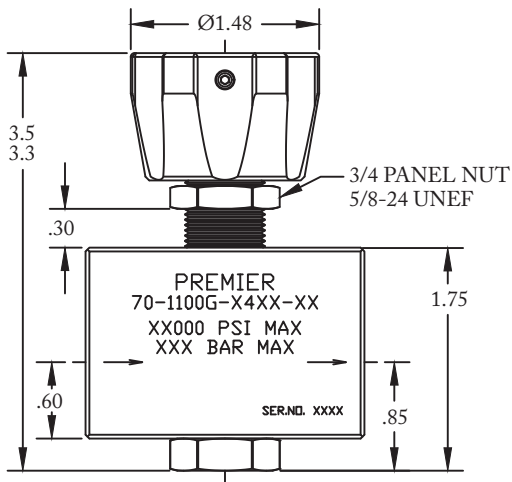
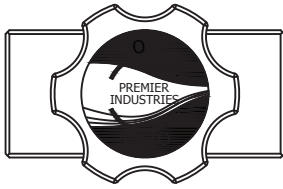
- **BODY OPTIONS:**
  - 316 Stainless Steel
  - SAE 360 Brass
- **VALVE SEAT OPTIONS:**
  - PTFE
  - PCTFE
  - PEEK®
  - Vespel SP-1®
- **VALVE STEM:**
  - 17-4 Stainless Steel (Hardened)
- **O-RING OPTIONS:**
  - BUNA-N
  - AFLAS®
  - Viton-A®
  - EPDM
  - FFKM (*contact Premier for pricing*)
  - Nitrile, lo-temp
- **BACK-UP RING:**
  - PTFE or PCTFE
- **WETTED, OTHER, BRASS BODY:**
  - SAE 360 Brass
  - PEEK®
- **WETTED, OTHER, STAINLESS STEEL BODY:**
  - 17-4 Stainless Steel
  - Nitronic® 60 Stainless Steel
  - PEEK®

*Vespel®, and Viton® are registered trademarks of E.I. du Pont de Nemours and Company.  
PEEK® is a registered trademark of Victrex PLC  
AFLAS® is a registered trademark of the Asahi Glass Co., Ltd.  
Nitronic® is a registered trademark of AK Steel*

## PORTING OPTIONS

- **INLET/OUTLET PORTING:**
  - 1/4" NPT, SAE J1926, SAE AS5202

**PART NUMBER: 70-1100G**



# 70 0.42G SERIES

High Pressure  
Shut Off Valves

PART #	1	-	2	3	4	5	-	6	7	-	MODS
70-1100		-					-			-	

1	PATTERN
G	GLOBE PATTERN
2	MATERIALS OF CONSTRUCTION
B	SAE 360 BRASS BODY (6000 PSIG MAX OPERATING PRESSURE)
S	316 STAINLESS STEEL BODY
3	PORT SIZE
4	1/4"
4	PORT TYPE
1	NPT
2	SAE J1926
3	SAE AS5202

5	SEAT MATERIAL
T	PTFE (3500 PSIG MAX OPERATING PRESSURE)
C	PCTFE (6000 PSIG MAX OPERATING PRESSURE)
P	PEEK®
V	VESPEL SP-1®
6 7	O-RING MATERIAL
00	BUNA-N
01	AFLAS®
02	VITON-A®
05	EPDM
11	FFKM <i>Contact Premier for pricing</i>
12	NITRILE, LO-TEMP

MODIFICATIONS	
BLANK	NONE
AC	KRYTOX 240AC

### MAXIMUM OPERATING PRESSURE:

PTFE seat, SAE 360 Brass body:  
3500 PSIG / 241 BAR  
PTFE seat, 316 Stainless Steel body:  
3500 PSIG / 241 BAR  
PCTFE seat, SAE 360 Brass body:  
6000 PSIG / 414 BAR  
PCTFE seat, 316 SS body:  
6000 PSIG / 414 BAR  
PEEK® seat, SAE 360 Brass body:  
6000 PSIG / 414 BAR  
PEEK® seat, 316 SS body:  
10000 PSIG / 690 BAR  
Vespel SP-1® seat, SAE 360 Brass body:  
6000 PSIG / 414 BAR  
Vespel SP-1® seat, 316 SS body:  
10000 PSIG / 690 BAR

AFLAS® is a registered trademark of the Asahi Glass Co., Ltd.  
PEEK® is a registered trademark of Victrex PLC  
Vespel® & Viton® are registered trademarks of E.I.duPont de Nemours and Company.