

70 1.60G SERIES

High Pressure
Shut Off Valves



Premier 70 1.60G Series shut off valves are stainless steel, high pressure valves rated for pressures up to 10000 PSIG (*689.5 BAR*) and Cv 1.6.

70 1.60G Series valves support the flow of a liquid or gas in a globe configuration and feature a metal stop that prevents stem over-travel. The metal stop also functions as a secondary metal-to-metal seat should the soft seat fail.

Premier 70 1.60G valves may be used in a wide variety of applications consistent with valve materials compatibility with media. Common applications include gas analysis sampling systems, GSE support pressure panels, research and development labs, manifolds, panels, and instrumentation among others.

FEATURES

- Rated up to 10000 PSIG (*689.5 BAR*)
- Cv 1.6
- Globe configuration
- Low torque at high pressures
- Bubble-tight shutoff

SOME APPLICATIONS WILL REQUIRE A CUSTOM SOLUTION.
CONTACT PREMIER INDUSTRIES TO REQUEST A MODIFICATION
OR A CUSTOM DESIGN.

PART NUMBER: 70-1300G

SPECIFICATIONS

- **DESIGN PRESSURE :**
 - 10000 PSIG (689.5 BAR)
- **FLOW Cv:** 1.6

PORTING

- **INLET/OUTLET PORTING OPTIONS:**
 - 1/2" NPT, SAE J1926, SAE AS5202 (IN-LINE PORTS)
 - 9/16" Medium Pressure (OFFSET PORTS)

MATERIALS OF CONSTRUCTION

WETTED:

- **BODY MATERIAL:**
 - 316 Stainless Steel
- **VALVE SEAT:**
 - Vespel SP-1®
- **VALVE STEM:**
 - Nitronic® 60 Stainless Steel
- **O-RING OPTIONS:**
 - Buna-N
 - AFLAS®
 - Viton-A®
 - EPDM
 - FFKM
 - Nitrile, lo-temp
- **BACK-UP RING:**
 - PCTFE
- **OTHER WETTED PARTS:**
 - 316 Stainless Steel

NON-WETTED:

- **KNOB MATERIAL:**
 - 6061-T6 Aluminum, black anodize

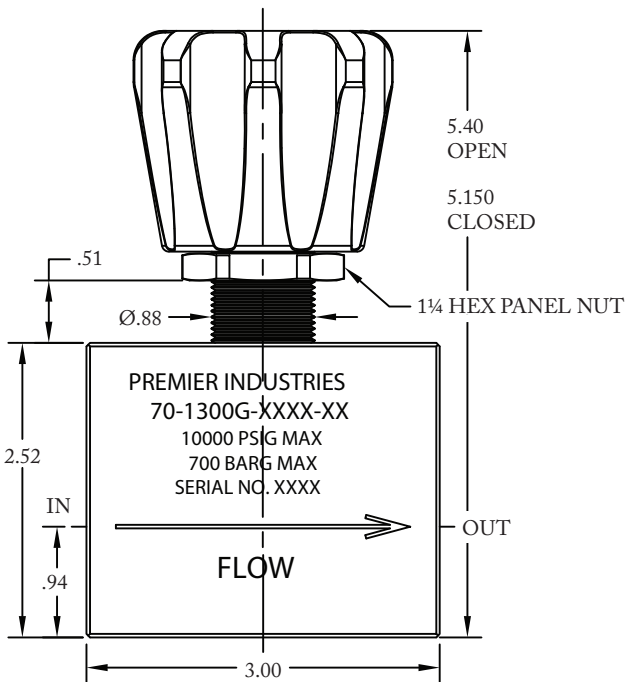
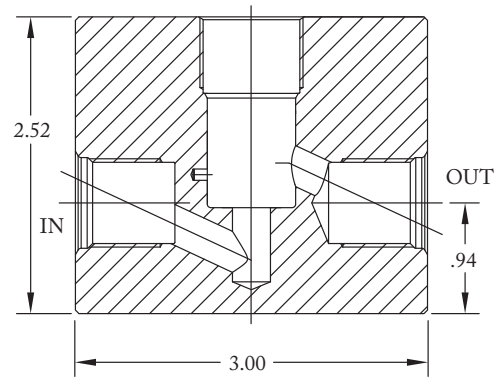
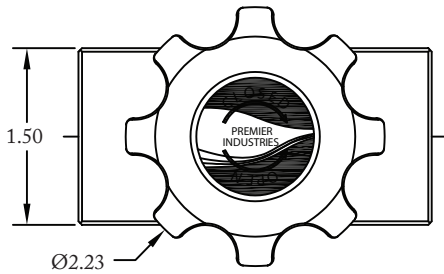
70 1.60G SERIES

High Pressure
Shut Off Valves

PART NUMBER: 70-1300G

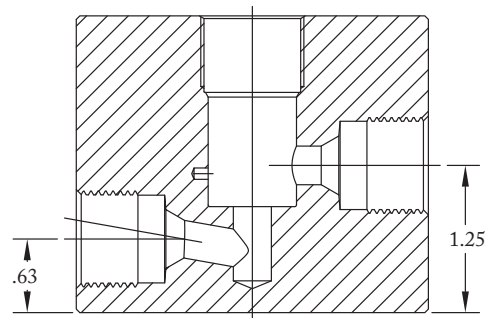
1/2-14 NPT
Ø1/2 SAE J1926
Ø1/2 SAE AS5202

(IN-LINE PORTS)



9/16" MP

(OFFSET PORTS)



70 1.60G SERIES

High Pressure
Shut Off Valves

PART #	1	-	2	3	4	5	-	6 7	-	MODS
70-1300		-					-		-	

1	PATTERN
G	GLOBE
2	MATERIALS OF CONSTRUCTION
S	316 STAINLESS STEEL BODY
3	PORT SIZE
8	1/2"*
9	9/16"***
<i>*1/2" NOT AVAILABLE IN MEDIUM PRESSURE</i> <i>**9/16" ONLY AVAILABLE IN MEDIUM PRESSURE</i>	
4	PORT TYPE
1	NPT
2	SAE J1996
3	MS 33649
4	MEDIUM PRESSURE

5	SEAT MATERIAL
P	PEEK
V	VESPEL® SP-1
6 7	O-RING MATERIAL
00	BUNA-N
01	AFLAS®
02	VITON-A®
05	EPDM
08	POLYURETHANE
11	FFKM <i>CONTACT PREMIER FOR PRICING</i>
12	NITRILE, LOW TEMP

MODIFICATIONS	
BLANK	NONE
AC	KRYTOX 240AC

Vespel®, and Viton® are registered trademarks of E.I. duPont de Nemours and Company. PEEK® is a registered trademark of Victrex PLC

Contact factory for material certifications. Fees may apply.