

# 70 2.30A SERIES

High Pressure  
Shut Off Valves



Premier 70 2.30A Series shut off valves are stainless steel, high pressure shut off valves rated for pressures up to 10000 PSIG and Cv 2.3 MAX (dependent on configuration). 70 2.30A Series valves feature a metal stop which functions as a secondary metal-to-metal seat should the soft seat fail.

Premier 70 2.30A Series valves may be used in a wide variety of applications consistent with valve materials compatibility with media.

## FEATURES

- Rated up to 10000 PSIG
- Cv 2.3 MAX (dependent upon configuration)
- A variety of port sizes and types
- Low torque at high pressures
- Metal stop prevents stem-over-travel

**SOME APPLICATIONS WILL REQUIRE A CUSTOM SOLUTION.**  
CONTACT PREMIER INDUSTRIES TO REQUEST A MODIFICATION  
OR A CUSTOM DESIGN.

**PART NUMBER: 70-1300A**

## SPECIFICATIONS

- **MAXIMUM OPERATING PRESSURE :**
  - 10000 PSIG / 690 BAR
- **FLOW Cv: 0.42**
  - 1/2" FNPT: 2.3 Cv
  - 1/2" SAE J1926: 2.3 Cv
  - 1/2" SAE AS5202: 2.3 Cv
  - 9/16" MEDIUM PRESSURE: 2.0 Cv

## PORTING

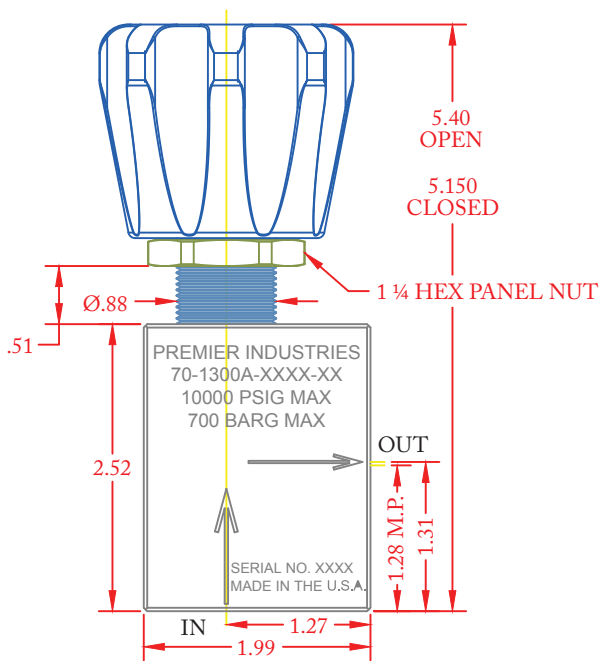
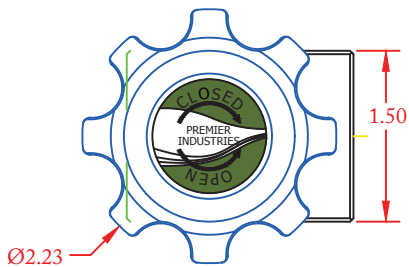
- **INLET/OUTLET PORTING:**
  - 1/2" FNPT, SAE J1926, SAE AS5202
  - 9/16" MEDIUM PRESSURE
- **PATTERN:**
  - ANGLE

## MATERIALS OF CONSTRUCTION

- **BODY:**
  - 316 Stainless Steel
- **VALVE SEAT:**
  - PEEK®
  - Vespel SP-1®
- **VALVE STEM, LOWER:**
  - 316 Stainless Steel
- **VALVE STEM, UPPER:**
  - Toughmet® 3
- **O-RING:**
  - BUNA-N
  - AFLAS®
  - Viton-A®
  - EPDM
  - Polyurethane
  - FFKM
  - Nitrile, lo-temp
- **BACK-UP RINGS:**
  - PCTFE
- **WETTED, OTHER:**
  - 316 Stainless Steel

*Vespel®, and Viton® are registered trademarks of E.I. duPont de Nemours and Company.  
PEEK® is a registered trademark of Victrex PLC  
AFLAS® is a registered trademark of the Asahi Glass Co., Ltd.  
Toughmet® 3 is a registered trademark of Materion Corporation*

**PART NUMBER: 70-1300A**



# 70 2.30A SERIES

High Pressure  
Shut Off Valves

PART #	1	-	2	3	4	5	-	6 7	-	MODS
70-1300		-					-		-	

1	PATTERN
A	ANGLE
2	MATERIALS OF CONSTRUCTION
S	316 STAINLESS STEEL BODY
3	PORT SIZE
8	1/2"*
9	9/16"***
<i>*1/2" NOT AVAILABLE IN MEDIUM PRESSURE</i> <i>**9/16" ONLY AVAILABLE IN MEDIUM PRESSURE</i>	
4	PORT TYPE
1	NPT
2	SAE J1996
3	SAE AS5202
4	MEDIUM PRESSURE

5	SEAT MATERIAL
P	PEEK
V	VESPEL® SP-1
6 7	O-RING MATERIAL
00	BUNA-N
01	AFLAS®
02	VITON-A®
05	EPDM
08	POLYURETHANE
11	FFKM <i>Contact Premier for pricing</i>
12	NITRILE, LO-TEMP

MODIFICATIONS	
BLANK	NONE
AC	KRYTOX 240AC

*Kalrez®, Vespel®, and Viton® are registered trademarks of E.I. du Pont de Nemours and Company. PEEK® is a registered trademark of Victrex PLC*

*Contact factory for material certifications. Fees may apply.*