

70 8.00G SERIES

High Pressure
Shut Off Valves



70 8.00G Series shut off valves are stainless steel, high pressure valves rated for pressures up to 6000 PSIG (413.69 BAR) and Cv 8.0.

70 8.00G valves support the flow of a liquid or gas in a globe configuration and feature a metal stop that prevents stem over-travel. The metal stop also functions as a secondary metal-to-metal seat should the soft seat fail.

Premier 70 8.00G valves may be used in a wide variety of applications consistent with valve materials compatibility with media. Common applications include gas analysis sampling systems, GSE support pressure panels, research and development labs, manifolds, panels, and instrumentation among others.

FEATURES

- Rated up to 6000 PSIG (413.69 bar)
- Cv 8.0
- Globe configuration
- Low torque at high pressures
- Bubble-tight shutoff
- Metal stop prevents stem-over-travel

SOME APPLICATIONS WILL REQUIRE A CUSTOM SOLUTION.
CONTACT PREMIER INDUSTRIES TO REQUEST A MODIFICATION
OR A CUSTOM DESIGN.

PART NUMBER: 70-1200G

SPECIFICATIONS

- **DESIGN PRESSURE :**
 - 6000 PSIG (413.69 bar)
- **FLOW Cv:** 8.0

PORTING

- **INLET/OUTLET PORTING OPTIONS:**
 - 3/4" NPT, SAE J1926, SAE AS5202, NPTF (DRY SEAL)
 - 1" NPT, SAE J1926, SAE AS5202, NPTF (DRY SEAL)

MATERIALS OF CONSTRUCTION

WETTED:

- **BODY MATERIAL:**
 - 316 Stainless Steel
- **VALVE SEAT OPTIONS:**
 - PCTFE
 - PEEK®
 - Vespel® SP-1
- **O-RING OPTIONS:**
 - Buna-N
 - AFLAS®
 - Viton-A®
 - EPDM
 - FFKM
 - Nitrile, lo-temp
- **BACK-UP RINGS:**
 - PTFE, Graphite Filled
- **OTHER WETTED PARTS:**
 - 316 Stainless Steel
 - Nitronic 60

NON-WETTED:

- **KNOB MATERIAL:**
 - 6061-T6 Aluminum, Black Anodize
- **PANEL NUT:**
 - 6061-T6 Aluminum, Nickel-Plated
- **ROLLER BEARINGS/WASHERS:**
 - Steel

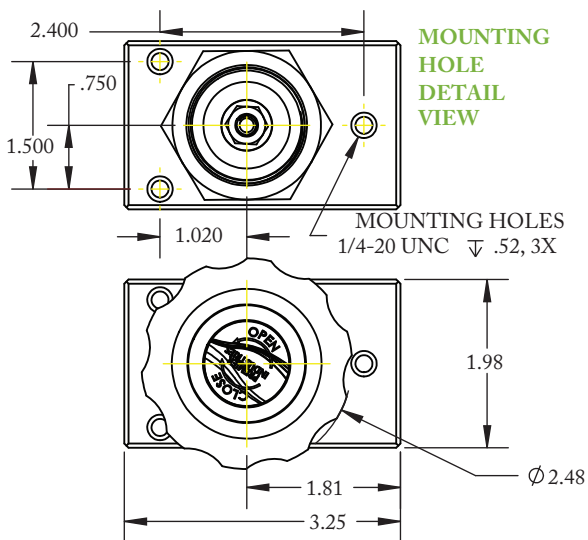
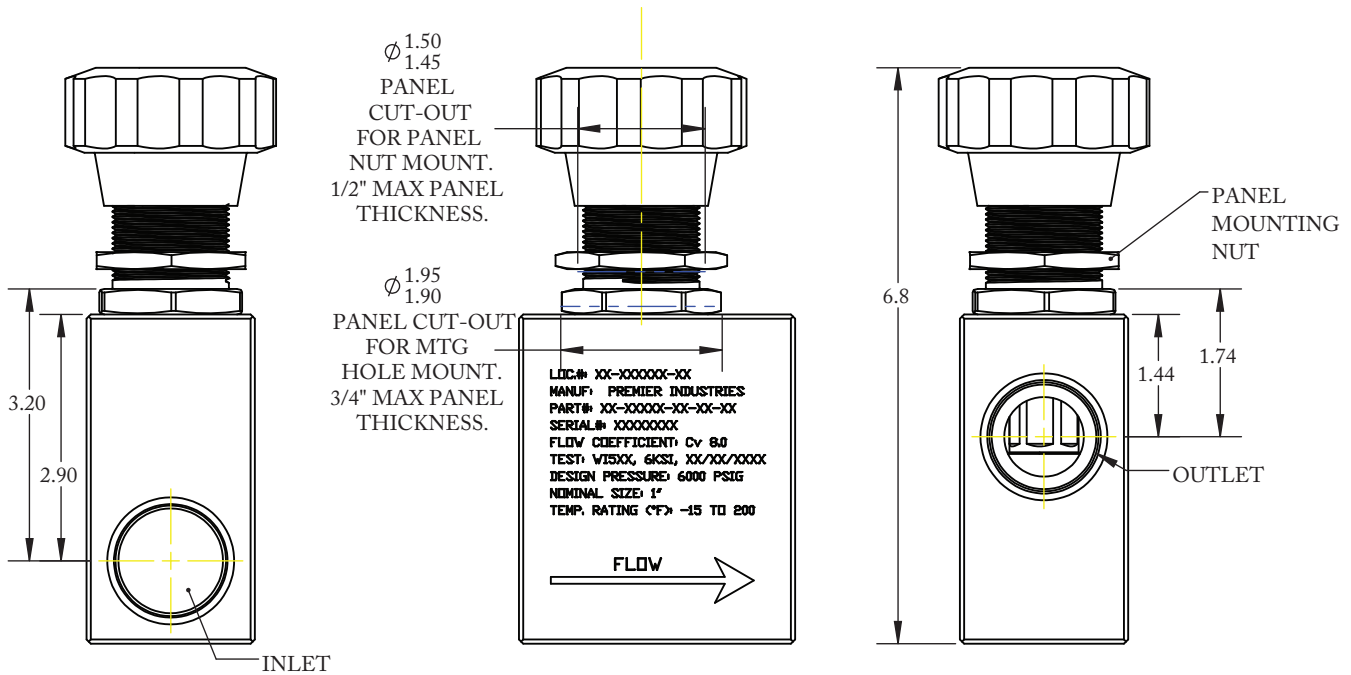
Vespel®, and Viton® are registered trademarks of E.I. duPont de Nemours and Company.

PEEK® is a registered trademark of Victrex PLC

AFLAS® is a registered trademark of the Asahi Glass Co., Ltd.

Contact factory for material certifications. Fees may apply.

PART NUMBER: 70-1200G



70 8.00G SERIES

High Pressure
Shut Off Valves

PART #	-	1	2	3	4	-	5	6
70-1200G	-					-		

1	BODY MATERIAL
S	316 STAINLESS STEEL
2	PORT SIZE
T	3/4"
W	1"
3	PORT TYPE
1	NPT
2	SAE J1996
3	SAE AS5202

4	SEAT MATERIAL
C	PCTFE
P	PEEK
V	VESPEL® SP-1
5 6	O-RING MATERIAL
00	BUNA-N
01	AFLAS®
02	VITON-A®
05	EPDM
11	FFKM <i>CONTACT PREMIER FOR PRICING</i>
12	LOW TEMPERATURE NITRILE

END USER IS RESPONSIBLE FOR ENSURING THAT ALL FITTINGS AND PLUMBING USED WITH THIS VALVE ARE RATED APPROPRIATELY FOR THE APPLICATION.

Vespel®, and Viton® are registered trademarks of E.I. duPont de Nemours and Company.

PEEK® is a registered trademark of Victrex PLC

AFLAS® is a registered trademark of the Asahi Glass Co., Ltd.

Contact factory for material certifications. Fees may apply.