

AO 0.20 SERIES

Air Operated, 20K, Normally Open/Closed
Valves



Premier AO 0.20 Series Air Operated Valves are available in both normally open and normally closed configurations for use with gas or hydraulic media. The AO 0.20 Series is rated for inlet pressures up to 20000 PSIG (1379 BAR), and (Cv) 0.20.

Offered in a wide range of process pressures, porting configurations, and materials, Premier AO valves were designed with the flexibility to integrate seamlessly into your application.

Optional accessories such as solenoid valves, indicator switches, and gauges are available.

FEATURES

- 20000 PSIG (1379 BAR) max inlet pressure
- Cv 0.20
- Actuation pressure: 100-130 PSIG / 6.9-9.0 BAR
- Optional solenoid valve actuator
- Robust design for long cycle life
- Customize and optimize to meet your unique requirement (*contact Premier*)

SOME APPLICATIONS WILL REQUIRE A CUSTOM SOLUTION.
CONTACT PREMIER INDUSTRIES TO REQUEST A MODIFICATION
OR A CUSTOM DESIGN.

SPECIFICATIONS

- **MAXIMUM INLET PRESSURE :**
 - 20000 PSIG / 1379 BAR
- **ACTUATION PRESSURE RANGE:**
 - 100-130 PSIG / 6.9-9.0 BAR
- **FLOW (Cv):**
 - 0.20

MATERIALS OF CONSTRUCTION

PROCESS SIDE WETTED:

- **BODY MATERIAL:**
 - 17-4 H1150 Stainless Steel
- **MAIN VALVE:**
 - 17-4 H1150 Stainless Steel
- **SEAT RETAINER:**
 - 17-4 H1150 Stainless Steel
- **MAIN VALVE SEAT:**
 - Vespel® SCP 5000
- **O-RING SEAL OPTIONS:**
 - Buna-N
 - Viton-A
 - EPDM
 - FFKM
 - Neoprene
 - Polyurethane
- **LUBRICANT:**
 - Krytox 240AC (*STANDARD*)
 - Molykote 44 medium lubricant (*MOD*)

ACTUATOR SIDE WETTED:

- **PISTON:**
 - 303 Stainless Steel
- **PLUG:**
 - 303 Stainless Steel
- **BONNET:**
 - 17-4 H1150 Stainless Steel

NON-WETTED:

- **BACK-UP RINGS:**
 - PEEK®

PORTING

- **INLET & OUTLET PORTS:**
 - 1/4" Medium Pressure
- **ACTUATION PORT:**
 - 1/8" FNPT

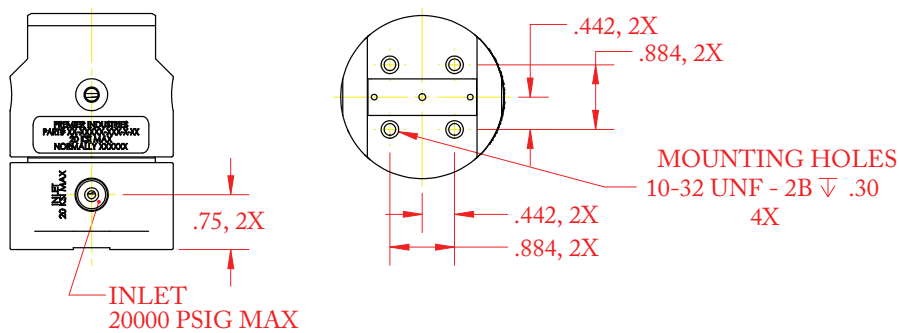
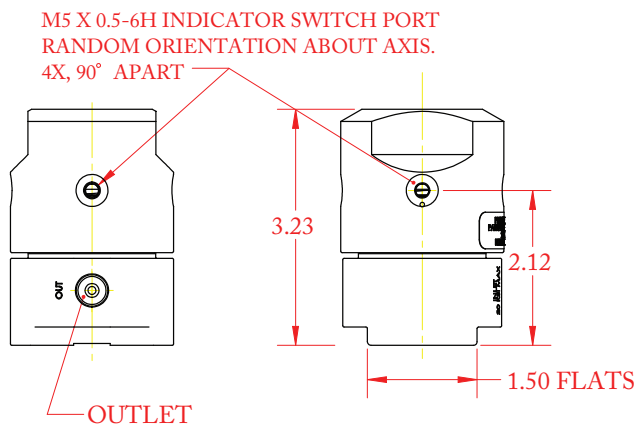
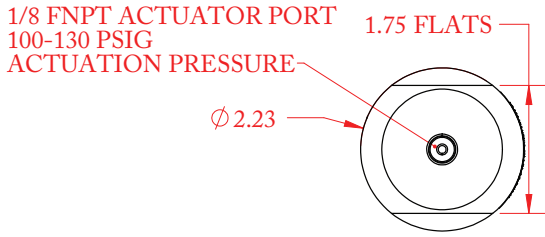
OPTIONS

- Private label
- Solenoid valve, P/N: 50-13337
- Indicator switch, P/N: 70-00434
- Gauges

Vespel® is a registered trademark of E.I. duPont de Nemours and Company.

PEEK® is a registered trademark of Victrex PLC

PART NUMBER: 70-00312



**INDICATOR SWITCH
MOD REFERENCE:**

70-00312-XXX-3
(4X SWITCH PORTS STANDARD)

INDICATOR SWITCH NOTES:

DUE TO SHIPPING DAMAGE CONCERNS, THE INDICATOR SWITCH WILL SHIP WITH THE AO VALVES BUT NOT INSTALLED.

CONTACT TURK FOR MORE INFORMATION ON THE SWITCH. TURK SWITCH PART#
BI1-EG05K-AP6X-V1331

INSTRUCTION FOR CUSTOMER INSTALLATION:

1. SCREW NUT ONTO SWITCH ALL THE WAY ON, SLIDE ON LOCK WASHER
2. APPLY 100-130 PSIG TO THE AO VALVE LOADER (PROCESS PRESSURE IS NOT REQUIRED.)
3. GENTLY SCREW SWITCH INTO A SWITCH PORT UNTIL CONTACT OCCURS, THEN BACK OFF 1 TO 1.5 FULL TURNS. WRENCH SNUG NUT AGAINST AO VALVE.
4. APPLY POWER TO THE SWITCH. SWITCH LED SHOULD TURN ON.
5. RELIEVE ALL PRESSURE TO THE LOADER, CONFIRM THAT SWITCH LED TURNS OFF.
6. CYCLE THE LOADER ONE MORE TIME TO ENSURE LED TURNS ON/OFF.

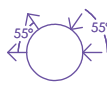
AO 0.20 SERIES

Air Operated, 20K, Normally Open/Closed
Valves

PART #	-	1	2	3	-	MODS
70-00312	-				-	

Cv 0.20, 20000 PSIG MAX INLET
VESPEL SCP5000 SEAT

1	TYPE
1	NORMALLY CLOSED
2	NORMALLY OPEN
2	PORTING
1	1/4" MEDIUM PRESSURE
3	O-RING MATERIAL
1	BUNA-N
2	VITON®
3	EPDM
4	NEOPRENE
5	FFKM <i>CONTACT FACTORY FOR PRICING</i>
6	POLYURETHANE

MODIFICATIONS**	
BLANK	NONE
1	GAUGE PORTS 
2	SOLENOID VALVE <i>(1/8" ACTUATION PORT ONLY)</i>
3	INDICATOR SWITCH <i>(4X SWITCH PORTS, STANDARD)</i>
4	MOLYKOTE 44 MEDIUM LUBRICANT
5	CLEAN WETTED COMPONENTS TO CGA G4.1 (PI WI615)

**CONSULT PREMIER INDUSTRIES IF
ORDERING SPECIAL MODS, OR IF
UNLISTED CONFIGURATIONS ARE
REQUIRED. ADD ALL MODS TO END
OF PART# (EX. 70-00312-113-1)**

*Viton® is a registered trademark of E.I.duPont de Nemours
and Company.*