

AO 0.80 SERIES

Air Operated, Normally Open/Closed
Valves



Premier AO 0.80 Series Air Operated Valves are available in both normally open and normally closed configurations for use with gas or hydraulic media. The AO 0.80 Series is rated for inlet pressures up to 10000 PSIG (689.5 BAR), and (Cv) 0.80.

Offered in a wide range of process pressures, porting configurations, and materials, Premier AO valves were designed with the flexibility to integrate seamlessly into your application.

Optional accessories such as solenoid valves, indicator switches, and gauges are available.

FEATURES

- 10000 PSIG (689.5 BAR) max inlet pressure
- Cv 0.80
- Actuation pressure: 90–110 psig
- Optional solenoid valve actuator
- Robust design for long cycle life
- Customize and optimize to meet your unique requirement (*contact Premier*)

SOME APPLICATIONS WILL REQUIRE A CUSTOM SOLUTION.
CONTACT PREMIER INDUSTRIES TO REQUEST A MODIFICATION
OR A CUSTOM DESIGN.

SPECIFICATIONS

- **MAXIMUM INLET PRESSURE :**
 - 10000 PSIG / 689.5 BAR
- **ACTUATION PRESSURE RANGE:**
 - 90-110 PSIG / 6.2-7.6 BAR
- **FLOW (Cv):**
 - 0.80

MATERIALS OF CONSTRUCTION

PROCESS SIDE WETTED:

- **BODY/INSERT/STEM MATERIAL OPTIONS:**
 - 303 Stainless Steel
 - 316 Stainless Steel
 - Monel® 400
 - C693 ECO Brass
- **MAIN VALVE SEAT OPTIONS:**
 - See selection charts
- **O-RING SEAL OPTIONS:**
 - Buna-N
 - Viton-A
 - EPDM
 - FFKM
 - Polyurethane
 - Low Temp Viton
- **LUBRICANT:**
 - Krytox 240AC (*standard*)
 - Molykote 44 medium lubricant (*special mod*)

ACTUATOR SIDE WETTED:

- **PISTON:**
 - 303 Stainless Steel
- **PLUG:**
 - 303 Stainless Steel
- **BONNET:**
 - 303 Stainless Steel

NON-WETTED:

- **BACK-UP RINGS:**
 - PTFE
 - PEEK®

PORTING

- **INLET & OUTLET OPTIONS:**
 - 1/8" FNPT
 - 1/4" FNPT, Medium Pressure, High Pressure, SAE (AS5202-04)
 - 3/8" FNPT, SAE (AS5202-06)
- **ACTUATION PORT:**
 - 1/8" FNPT
 - 1/4" SAE (AS5202-04)

OPTIONS

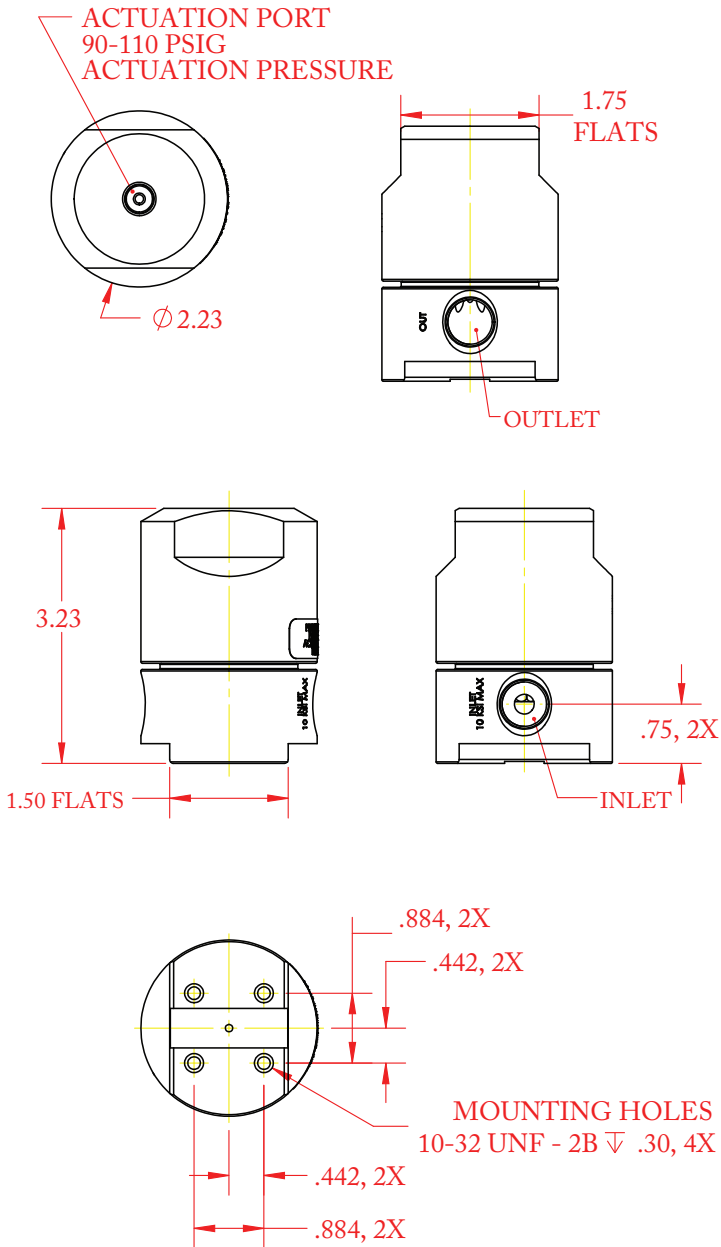
- Private label
- Solenoid valve, P/N: 50-13337
- Indicator switch, P/N: 70-00434
- Gauges

Monel® is a registered trademark of Specialty Metals Corporation

VespeI® is a registered trademark of E.I. duPont de Nemours and Company.

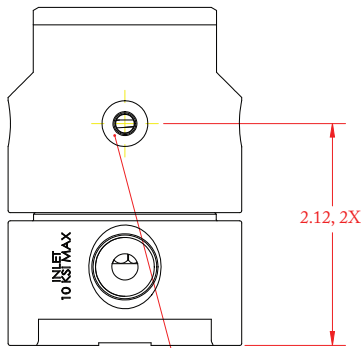
PEEK® is a registered trademark of Victrex PLC

PART NUMBER: 70-00347



INDICATOR SWITCH PORT MOD REFERENCE:

- 70-00347-X-XX-XX-7
(2X SWITCH PORTS)
- 70-00347-X-XX-XX-Z
(4X SWITCH PORTS)
- 70-00347-X-XX-XX-9
(1X SWITCH PORTS)



M5 X 05-6H INDICATOR
SWITCH PORT. RANDOM
ORIENTATION ABOUT
2X, 180° APART (MOD -7)

INDICATOR SWITCH MOD REFERENCE:

70-00347-X-XX-XX-S

INDICATOR SWITCHES CAN BE ORDERED
SEPARATELY.

P/N: 70-00434

INDICATOR SWITCH NOTES:

DUE TO SHIPPING DAMAGE CONCERNS, THE
INDICATOR SWITCH WILL SHIP WITH THE AO
VALVES BUT NOT INSTALLED.

CONTACT TURK FOR MORE INFORMATION ON THE
SWITCH. TURK SWITCH PART# BI1-EG05K-AP6X-V1331

INSTRUCTION FOR CUSTOMER INSTALLATION:

1. SCREW NUT ONTO SWITCH ALL THE WAY ON,
SLIDE ON LOCK WASHER
2. APPLY 90-110 PSIG TO THE AO VALVE LOADER
(PROCESS PRESSURE IS NOT REQUIRED.)
3. GENTLY SCREW SWITCH INTO A SWITCH PORT
UNTIL CONTACT OCCURS, THEN BACK OFF 1 TO
1.5 FULL TURNS. WRENCH SNUG NUT AGAINST AO
VALVE.
4. APPLY POWER TO THE SWITCH. SWITCH LED
SHOULD TURN ON.
5. RELIEVE ALL PRESSURE TO THE LOADER,
CONFIRM THAT SWITCH LED TURNS OFF.
6. CYCLE THE LOADER ONE MORE TIME TO ENSURE
LED TURNS ON/OFF.

AO 0.80 SERIES

Air Operated, Normally Open/Closed Valves

PART #	-	1	-	2	3	-	4	5	-	MODS (OPTIONAL)
70-00347	-		-			-			-	

Cv 0.8, 10000 PSIG MAX INLET

1	TYPE
1	NORMALLY CLOSED
2	NORMALLY OPEN
2	BODY/INSERT/STEM SEAT MATERIAL
1	303 STAINLESS STEEL <i>VESPEL SP-1</i>
2	316 STAINLESS STEEL <i>VESPEL SP-1</i>
3	MONEL® 400 <i>VESPEL SP-21</i> <i>615 CLEANED</i>
4	C693 ECO BRASS <i>VESPEL SP-21</i> <i>615 CLEANED</i>
<p>ALL BRASS IS C693 ECO BRASS STANDARD. IF MOD 8 IS SELECTED, BODY IS C360 BRASS AND INSERT/STEM ARE C693 ECO BRASS</p>	
3	O-RING MATERIAL
1	BUNA-N
2	VITON-A®
3	EPDM
4	FFKM <i>CONTACT PREMIER FOR PRICING</i>
5	POLYURETHANE
6	LOW TEMP VITON®

4	PROCESS PORTS (& GAGE)
1	1/4 FNPT
2	3/8 FNPT
3	1/4" SAE (AS5202-04)
4	1/4 MEDIUM PRESSURE <i>(MEDIUM PRESSURE PORTING IS ONLY AVAILABLE W/ Cv 0.2)</i>
6	3/8" SAE (AS5202-06)
7	1/8 FNPT
8	1/4 HIGH PRESSURE <i>(HIGH PRESSURE PORTING IS ONLY AVAILABLE W/ Cv 0.16)</i>
5	ACTUATION PORT
1	1/8 FNPT
2	1/4" SAE (AS5202-04)

VITON® IS A REGISTERED TRADEMARK OF E.I. DUPONT DE NEMOURS AND COMPANY.

MONEL® IS A REGISTERED TRADEMARK OF SPECIALTY METALS CORPORATION

SPECIAL MODS**	
OMITTED	NONE
2	SOLENOID VALVE ACTUATOR (1/8" FNPT ONLY)
3	GAUGE PORTS
4	MOLYKOTE 44 MEDIUM LUBRICANT
5	CLEAN TO CGA G4.1 (PI WI615)
Q	CLEANED AND HANDLED PER PI WI617
7	2X INDICATOR SWITCH PORTS (SEE PAGE 3)
8	PTFE SEAT (DERATES VALVE TO 3000 PSIG)
P	PEEK 1000 SEAT
Z	4X INDICATOR SWITCH PORTS
9	1 INDICATOR SWITCH PORT (SEE PAGE 3)
S	INDICATOR SWITCH (UNINSTALLED, SEE PAGE 3)

**CONSULT PREMIER INDUSTRIES IF ORDERING SPECIAL MODS, OR IF UNLISTED CONFIGURATIONS ARE REQUIRED.

ADD ALL MODS TO END OF PART# (EX. 70-00347-1-12-41-4)