

# O2 AO 2.0 QUAD PACK

Pneumatically Operated Valve Assembly  
4 Valves, Cv 2.0, High Pressure Oxygen Service



The Premier AO 2.0 Quad Pack integrates four air-operated high-pressure valves into a single modular assembly for oxygen service. Rated for operating pressures up to 10000 PSIG (689.5 bar) and Cv 2.0, this assembly is designed to support continuous system operation by reducing potential single points of failure, while also improving space utilization and simplifying installation and maintenance.

## APPLICATIONS:

- Burst testing
- Rocket engine testing
- Pre-launch fueling and launch pad pressure control
- High-pressure oxygen systems
- Ground support hardware
- Equipment calibration and system validation

## FEATURES

- Configured for high-pressure oxygen service
- Space-saving modular assembly
- Fewer fittings = fewer leak paths
- Reduced installation labor
- Rated for 10000 PSIG (689.5 BAR) operating pressure
- Flow coefficient (Cv): 2.0
- Robust design for long cycle life

**SOME APPLICATIONS WILL REQUIRE A CUSTOM SOLUTION.**  
CONTACT PREMIER INDUSTRIES TO REQUEST A MODIFICATION  
OR A CUSTOM DESIGN.

# O2 AO 2.0 QUAD PACK

Pneumatically Operated Valve Assembly  
4 Valves, Cv 2.0, High Pressure Oxygen Service

## SPECIFICATIONS

- **MAXIMUM OPERATING PRESSURE :**
  - 10000 PSIG / 689.5 BAR
- **ACTUATION PRESSURE:**
  - 90-110 PSIG / 6.2-7.6 BAR
- **FLOW (Cv):** 2.0
- **TEMPERATURE:**  
LOW TEMP VITON:
  - -41F TO 400 F -41C TO 204CVITON:
  - 5F TO 392F (-15C TO 200C)

## MATERIALS OF CONSTRUCTION

### PROCESS SIDE WETTED:

- **BODY/INSERT/STEM/INLET ADAPTER:**
  - Monel® 400
- **STEM/SEAT RETAINER:**
  - Monel® K500
- **VALVE SEAT OPTIONS:**
  - Vespel® SP-21
- **O-RING SEAL OPTIONS:**
  - Viton-A®
  - Low temp Viton
- **LUBRICANT:**
  - Krytox® 240AC (*standard*)

### ACTUATOR SIDE WETTED:

- **PISTON/PLUG/BONNET:**
  - C693 Eco Brass

### NON-WETTED:

- **SCREW:** 18-8 Stainless Steel
- **SPRING:** Chrome Silicon, Vinyl Coated
- **BACKUP RINGS:** PTFE
- **HARDWARE:** 18-8 Stainless Steel
- **PLATES:** 316 Stainless Steel
- **BODY MOUNTING ADAPTERS:**
  - 303 Stainless Steel

## PORTING

- **PROCESS PORT OPTIONS:**
  - See selection chart
- **ACTUATION PORT:**
  - 1/8" FNPT
  - 1/4" SAE (AS5202-04)

## OPTIONS

- Private label
- Solenoid valve
- Switch ports
- Indicator switch sold separately (P/N: 70-00434)
- Anti-vibrational collar (M.P. ports only)

*Viton-A® and Vespel® are registered trademarks of E.I. du Pont de Nemours and Company.*

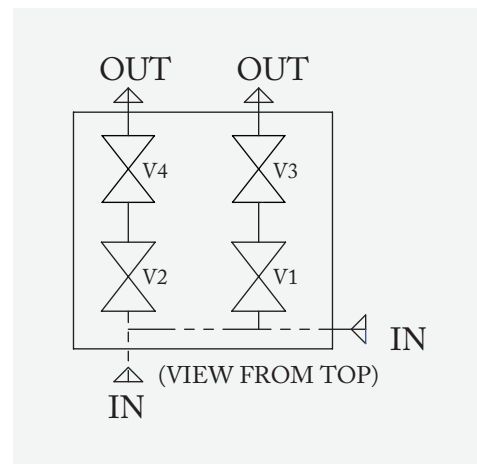
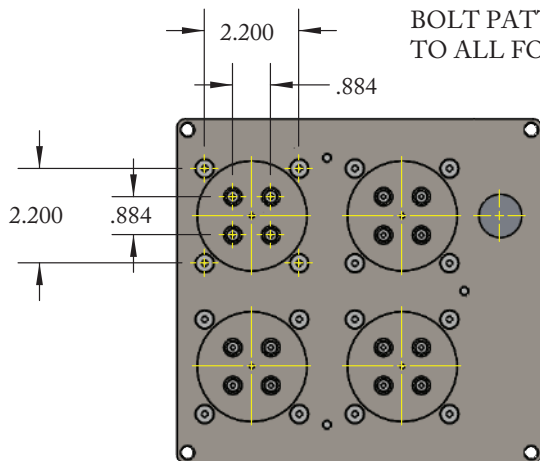
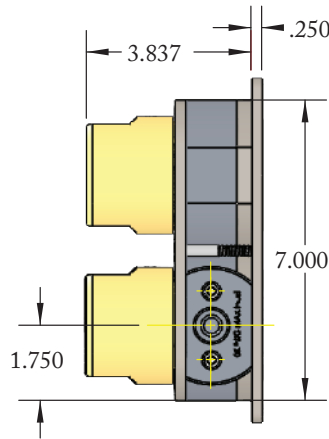
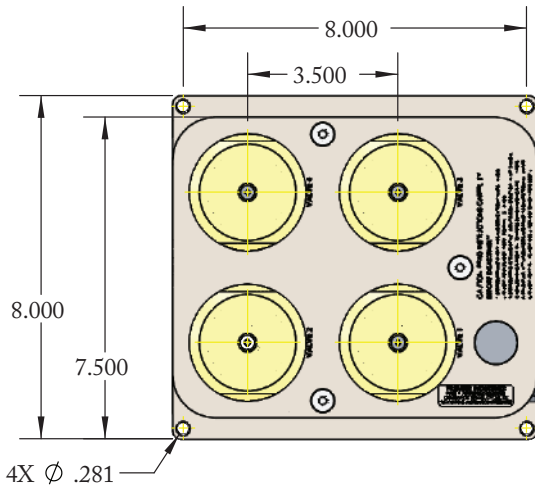
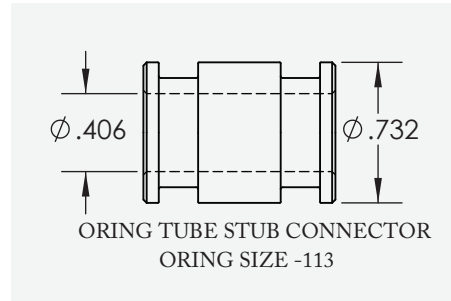
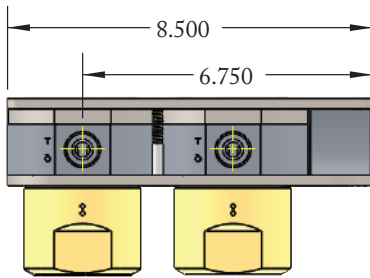
*Krytox® is a registered trademark of The Chemours Company FC, LLC.*

*Monel® is a registered trademark of Special Metals Corporation*

# O2 AO 2.0 QUAD PACK

Pneumatically Operated Valve Assembly  
4 Valves, Cv 2.0, High Pressure Oxygen Service

**PART NUMBER: OY70-00508**



# O2 AO 2.0 QUAD PACK

Pneumatically Operated Valve Assembly  
4 Valves, Cv 2.0, High Pressure Oxygen Service

PART #	-	1	-	2	3	-	4	5	-	MODS
OY70-00508	-		-			-			-	

1	TYPE
1	NORMALLY OPEN
2	NORMALLY CLOSED
2	BODY/INSERT/ ADAPTER MATERIAL
5	MONEL
3	O-RING MATERIAL
2	VITON-A®
6	LOW TEMP VITON®

4	PROCESS PORTS
1	1/2" FNPT
2	3/8" FNPT
3	1/2" SAE (AS5202-08)
4	9/16" MEDIUM PRESSURE
5	3/8" SAE (AS5202-06)
6	9/16" MEDIUM PRESSURE INLET AND 1/2" SAE (AS5202-08) OUTLET
7	1" SAE (AS5202-16)
5	ACTUATION PORT
1	1/8 (F)NPT
2	1/4" SAE (AS5202-04)

SPECIAL MODS**	
BLANK	NONE
1	4X INDICATOR SWITCH PORTS $\Delta$
2	SOLENOID VALVES, 4X
9	PTFE SEAT (DERATES QUADPACK TO 3000 PSIG)
C	IEST-STD-CC1246 200R4 CLEANING
T	ANTI-VIBRATIONAL COLLAR (MEDIUM PRESSURE PORTS ONLY)

CONSULT PREMIER INDUSTRIES IF ORDERING SPECIAL MODS, OR IF UNLISTED CONFIGURATIONS ARE REQUIRED.

ADD ALL MODS TO END OF PART# (EX. 70-00504-1-22-12-1)

*Viton® is a registered trademark of E.I.duPont de Nemours and Company.*

NOTES:

- $\Delta$  VALVES ORDERED WITH BOTH NORMALLY OPEN AND PTFE SEAT MODIFIER MAY NOT HAVE SWITCH PORT MODIFIERS